

# ■ HAND DRYER ■

## JET HAND DRYER

### GSQ70A

#### Characteristics:

- \*Long lifespan High-speed brushless DC motor which can produces 95 m/s jet airflow
- \*Dry hands in 6-12 seconds
- \*Controlled by CPU, display by LCD screen
- \*Hygienic filter bag, antibacterial and gases absorption
- \*Unique , energy-saving, economical and durable design

#### Specifications:

|                       |                      |                        |
|-----------------------|----------------------|------------------------|
| Voltage:              | 220V-240V~/50Hz      | 110-120V/60Hz          |
| Rated Power:          | 850W                 | 850W                   |
| Current:              | 6A                   | 11A                    |
| Degree of Protection: | IP 22                | IP 22                  |
| Air volume:           | 220m <sup>3</sup> /h | 220m <sup>3</sup> /h   |
| Air velocity:         | 95m/s                | 95m/s                  |
| Noise Level:          | >78 dB               | >78 dB                 |
| Packing Size:         | 715x355x325mm        | 28 1/8" x 14" x 1 7/8" |
| Unit weight:          | 11.5kg               | 25.3lb                 |
| CTN QTY.:(1pc)        | 13kg                 | 28.5lb                 |
| CTNS of 20'FT:        | 336pcs (336 CTNS)    |                        |

#### Energy-saving comparison

| Contrast    | power consumption per year |                             | Power saving          |                             |
|-------------|----------------------------|-----------------------------|-----------------------|-----------------------------|
|             | GSQ70A                     | Common hand dryer           | Power saving per year | Power saving for 5 per year |
| Use per day |                            |                             |                       |                             |
| 500(Times)  | 430(kWh)                   | 4055(kWh)                   | 3625(kWh)             | 18125(kWh)                  |
| 1000(Times) | 860(kWh)                   | 8111(kWh)<br>2 hand dryers  | 7251(kWh)             | 36255(kWh)                  |
| 1500(Times) | 1290(kWh)                  | 12166(kWh)<br>3 hand dryers | 10876(kWh)            | 54380(kWh)                  |
| 2000(Times) | 1720(kWh)                  | 16222(kWh)<br>4 hand dryers | 14502(kWh)            | 72510(kWh)                  |

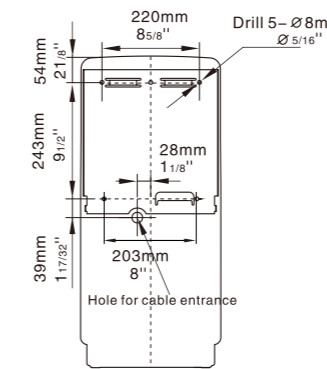
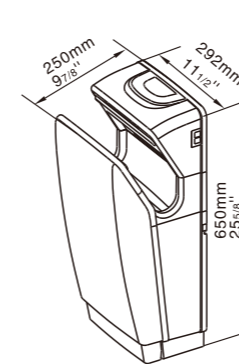
Note:GSQ70A hand dryer is tested on the basis of 850W, the average drying time is 10 sec./Time.  
A common hand dryer with 2000W, its average drying time is 40 sec./time.



ABS WHITE



ABS METALLIC SILVER



Installation template



Bi-directional Airflow



Large size LCD Display



Removable Water Tray



Brushless DC Motor





ABS WHITE



ABS METALLIC SILVER

## JET HAND DRYER

### GSQ80

#### Characteristics:

- \*High-speed brushless DC motor that which can produce 110 m/s jet airflow
- \*Dry hands in 5-10 seconds
- \*Controlled by CPU, display by LED Screen
- \*Alternative of cool or warm air
- \*Hygienic filter bag, antibacterial and gases absorption
- \*Unique, energy-saving, economical and durable design

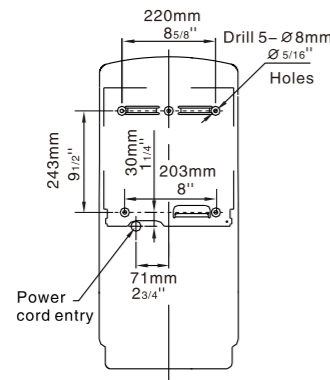
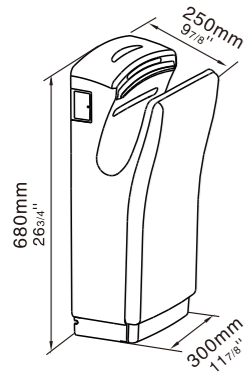
#### Specifications:

|                       |                      |                      |
|-----------------------|----------------------|----------------------|
| Voltage:              | 220V-240V~/50Hz      | 110-120V/60Hz        |
| Rated Power:          | 1400W                | 1400W                |
| Current:              | 8A                   | 13A                  |
| Degree of protection: | IP22                 | IP22                 |
| Air volume:           | 200m <sup>3</sup> /h | 200m <sup>3</sup> /h |
| Air velocity:         | 110m/s               | 110m/s               |
| Noise Level:          | >78dB                | >78dB                |
| Packing Size:         | 735x371x330mm        | 287/8"x145/8"x13"    |
| Unit weight:          | 8.6kg                | 19lb                 |
| CTN QTY.:(1pc)        | 10.4kg               | 23lb                 |
| CTNS of 20'FT:        | 336pcs (336 CTNS)    |                      |

#### Energy-saving profile

| Use per day | power consumption per year |                             | Power saving          |                             |
|-------------|----------------------------|-----------------------------|-----------------------|-----------------------------|
|             | CSQ80                      | Common hand dryer           | Power saving per year | Power saving for 5 per year |
| 500(Times)  | 330(kWh)                   | 4055(kWh)                   | 3725(kWh)             | 18625(kWh)                  |
| 1000(Times) | 660(kWh)                   | 8111(kWh)<br>2 hand dryers  | 7451(kWh)             | 37075(kWh)                  |
| 1500(Times) | 990(kWh)                   | 12166(kWh)<br>3 hand dryers | 11176(kWh)            | 55880(kWh)                  |
| 2000(Times) | 1320(kWh)                  | 16222(kWh)<br>4 hand dryers | 14902(kWh)            | 74510(kWh)                  |

Note:GSQ80 hand dryer is tested on the basis of 650W(cool air running), the average drying time is 10 sec./Time.  
A common hand dryer with 2000W, its average drying time is 40 sec./time.



Installation template



Bi-directional Airflow + LED Lighting



Active Carbon Filter



Removable Water Tray



Brushless DC Motor



GSQ60K&GSQ60KS

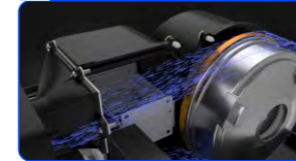


GSQ60K1

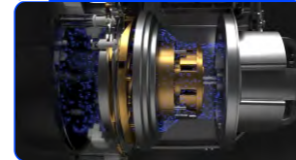
1 Anti-impact streamlined stainless steel structure



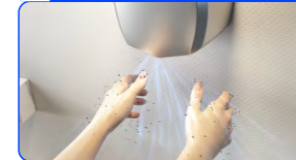
4 Immaculate airflow



2 Customize high speed brushless motor



5 Dry your hands rapidly



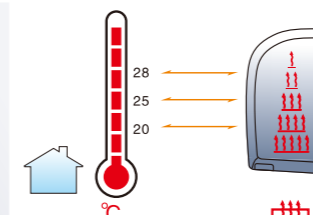
3 Filter screen+ UV ray+ photocatalyst



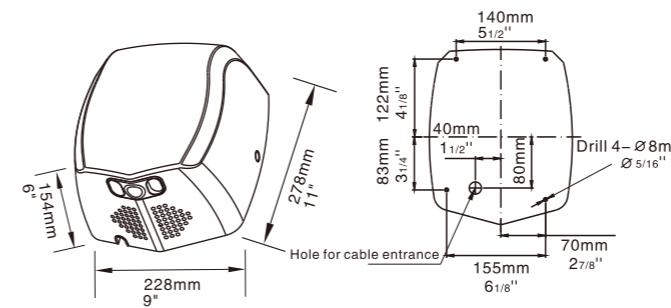
6 1 hour automatically sterilize, and purify the air and environment



Brushless DC Motor



Smart heating illustrated



Installation template

## AUTOMATIC HAND DRYER

### GSQ60K(Purified model)

### GSQ60KS(Sterilizing model)

### GSQ60K1(Quick insert installation model)

#### Characteristics:

- \*Energy saving: Unique brushless motor, lowest power consumption, high efficiency, Round nozzle for concentrating air flow, quick drying process.
- \*Smart: Micro-smart control chip, coupled with advanced infrared processing technology to ensure accurate and reliable control. It automatically adjusts the heater depending on the air temperature surrounding the dryer, for better energy consumption.
- \*Comfortable: Low noise, high speed to dry hands quickly.
- \*Safe: This hand dryer has multiple protections against over temperature, over current and overtime.
- \*Endurable: Stainless steel cover with better anti-external impact and anti-drop protection.

#### \*Purified model

Primary filter in front of fan house can filter large particles of dust and air. Second layer of HEPA filter can filter small dust.

#### \*Sterilizing model

Primary filter in front of fan house can filter large particles of dust and air. Second layer of activated carbon filter can absorb gases and bacteria. The third layer is irradiated with specific wavelengths of UV light, the bacterial and viral DNA tissues will be destroyed. The fourth layer with ceramic photocatalytic filter irradiated with UV light will activate the photocatalyst (TiO<sub>2</sub>) and produce hydrogen radicals (OH<sup>-</sup>), which can decompose molecular structure of the harmful components, inhibit the growth of bacteria and viruses, so as to sterilize, purify and deodorize fresh the air.

#### Specifications:

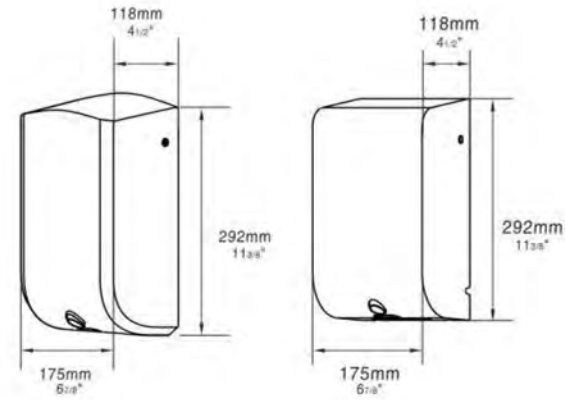
|                       |                     |                      |
|-----------------------|---------------------|----------------------|
| Voltage:              | 220V-240V~/50Hz     | 110-120V/60Hz        |
| Rated Power:          | 800W                | 800W                 |
| Current:              | 3.5A                | 6.6A                 |
| Degree of Protection: | IP22                | IP22                 |
| Air volume:           | 85m <sup>3</sup> /h | 85m <sup>3</sup> /h  |
| Air velocity:         | 75m/s               | 75m/s                |
| Noise Level:          | >70 dB              | >70 dB               |
| Packing Size:         | 565x325x410mm       | 221/4"x127/8"x161/8" |
| Unit weight:          | 3.3kg               | 7.3lb                |
| CTN QTY.:(4pcs)       | 15.7kg              | 34.6lb               |
| CTNS of 20'FT:        | 1400pcs (350 CTNS)  |                      |



GSQ120B  
ABS METALLIC SILVER



GSQ120BK  
STAINLESS STEEL SATIN FINISH



**AUTOMATIC HAND DRYER**

**GSQ120B**

**GSQ120BK**

**Characteristics:**

- \*Using " HEPA filter screen + UV sterilization lamp + photocatalyst " for multiple filter and sterilize.
- \*Special brushless motor makes the product low power, high efficiency. Round wind nozzle can concentrate the air for fast drying.
- \*Using microcomputer intelligent control chip, combined with advanced infrared receiving digital processing technology, makes the product accurate and reliable.
- \*Low noise, high wind speed, instantly blow away the water droplets on hands, makes drying hands also enjoyable.
- \*Temperature over rise, over-current and over-time protection.
- \*The shell is made of ABS material, with a solid coating, makes it great-looking and durable.
- \*The shell can be available of stainless steel also, which is with better anti-external impact and anti drop protection.



Brushless DC Motor

**Specifications:**

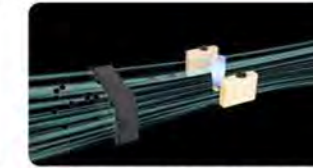
|                       |                     |                             |
|-----------------------|---------------------|-----------------------------|
| Voltage:              | 220V-240V~50Hz      | 110-120V/60Hz               |
| Rated Power:          | 1200W               | 1200W                       |
| Current:              | 5.4A                | 10A                         |
| Degree of protection: | IP22                | IP22                        |
| Air volume:           | 62m <sup>3</sup> /h | 62m <sup>3</sup> /h         |
| Air velocity:         | 67m/s               | 67m/s                       |
| Noise Level:          | >72 dB              | >72 dB                      |
| Packing Size:         | 490x380x610mm       | 22 1/2" x 12 5/8" x 17 3/4" |
| Unit weight:          | 1.35kg              | 2.9lb(GSQ120B)              |
|                       | 1.76kg              | 3.8lb(GSQ120BK)             |
| CTN QTY.:(8pcs)       | 16kg                | 40 lb (GSQ120B)             |
|                       | 19.9kg              | 43.8lb (GSQ120BK)           |
| CTNS of 20'FT:        | 1728pcs (216 CTNS)  |                             |



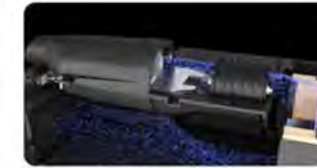
Smart heating illustrated



1. ABS housing construction



2. Filter screen+ UV ray+ photocatalyst



3. Immaculate airflow



4. Customize high speed brushless motor



5. Dry your hands rapidly



6. Sterilize and purify the air and environment



# HAND DRYER

# HAND DRYER



STAINLESS STEEL

## AUTOMATIC HAND DRYER

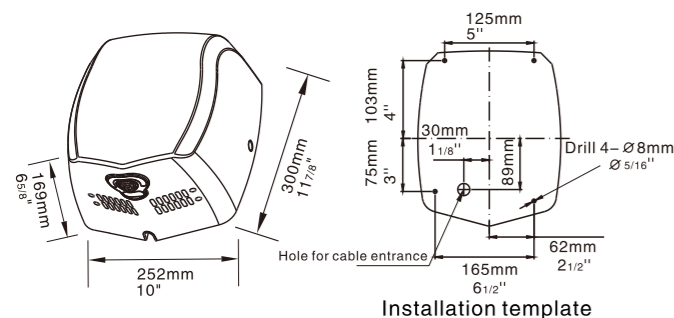
**GSQ91K**

### Characteristics:

- \*Energy saving: Unique high-speed motor, low overall power consumption, high efficiency, round nozzle for concentrated air flow, and shorter drying process. With power rated which is less than half of other hand dryers. It can complete the drying process two times quicker than them. Its specially designed heating element switch to easily shift between warm air and cold air, making it more energy saving and user friendly.
- \*Safe: This smart hand dryer has multiple protections against over temperature, over current, and overtime to prevent accidents.
- \*Comfortable: Micro-smart control chip, coupled with cutting edge digital infrared receiver processing technique to ensure accurate and reliable control. When you hand reaches within 10cm to the nozzle, the hand dryer will automatically sense it and start to blow warm air. The hand dryer will stop working automatically after your hand is removed for 1second.
- \*Endurable: Enclosed stream-line stainless steel shell provides considerably improve water resistance.

### Specifications:

|                       |                      |                             |
|-----------------------|----------------------|-----------------------------|
| Voltage:              | 220V~240V~/50Hz      | 110~120V/60Hz               |
| Rated Power:          | 900W                 | 900W                        |
| Current:              | 3.9A                 | 7.5A                        |
| Degree of Protection: | IP 22                | IP 22                       |
| Air volume:           | 105m <sup>3</sup> /h | 105m <sup>3</sup> /h        |
| Air velocity:         | 89m/s                | 89m/s                       |
| Noise Level:          | >80dB                | >80dB                       |
| Packing Size:         | 615x375x480mm        | 24 1/4" x 14 7/8" x 18 7/8" |
| Unit weight:          | 4kg                  | 8.8lb                       |
| CTN QTY.: (4pcs)      | 19.3kg               | 42.5lb                      |
| CTNS of 20'FT:        | 864pcs (216 CTNS)    |                             |



POWDER COATING

CHROME-PLATING

## AUTOMATIC HAND DRYER

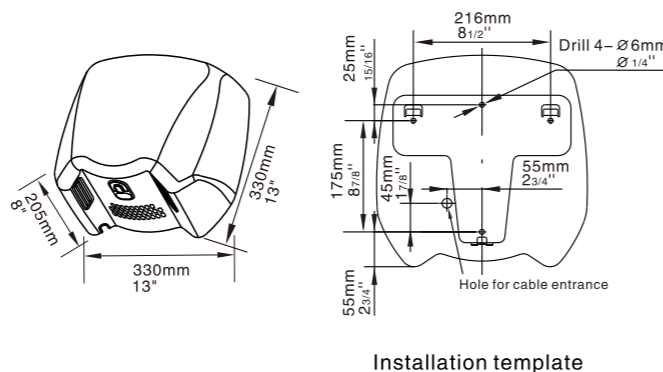
**GSQ83**

### Characteristics:

- \*High-efficiency: Brushless DC motor, 1/3 rated power of normal hand dryers, twice drying efficiency than normal's.
- \*Intelligence: Controlled by CPU with infrared sensor, heating element turn on/off automatically base on the environment temperature.
- \*Comfort: 3 sides jet flow creates a 3D Air for drying hands, makes hands drying become an enjoyment.
- \*Hygiene: Activated carbon antibacterial filter makes the flowing air pollution-free.

### Specifications:

|                       |                      |                         |
|-----------------------|----------------------|-------------------------|
| Voltage:              | 220V~240V~/50Hz      | 110~120V/60Hz           |
| Rated Power:          | 1300W                | 1300W                   |
| Current:              | 5.7A                 | 12A                     |
| Degree of protection: | IP22                 | IP22                    |
| Air volume:           | 202m <sup>3</sup> /h | 202m <sup>3</sup> /h    |
| Air velocity:         | 89m/s                | 89m/s                   |
| Packing Size:         | 760x395x285mm        | 30" x 15 5/8" x 11 1/4" |
| Unit weight:          | 6kg                  | 13.2lb                  |
| CTN QTY.: (2pcs)      | 16.1kg               | 35.5lb                  |
| CTNS of 20'FT:        | 672pcs (336 CTNS)    |                         |



STAINLESS STEEL SATIN FINISH

## AUTOMATIC HAND DRYER

**GSQ100K (Brushless DC Motor)**

### Characteristics:

- \*Energy-saving: With special brushless motor, the product features low rated power and high efficiency, 3D flat nozzle, provides concentrated blowing and fast drying.
- \*Intelligent: Adopting microcomputer intelligent control chip, combining with advanced infrared receiving and digital processing technology. It is advantaged at precise and reliable control. Real-time temperature monitoring, it provides step heating power adjustment according to different room temperature, which is more energy-saving.
- \*Comfortable: low noise, high blowing speed, it can instantly blow away the water droplets on hands. It makes blowing hands become a pleasure.
- \*Safe: This hand dryer has multiple protections such as temperature rise, overcurrent and overtime to avoid accident.
- \*Durable: It adopts stainless steel shell, and brings ability to resist external impact and drip-proof is greatly improved.

### Specifications:

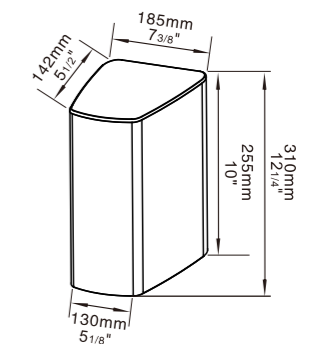
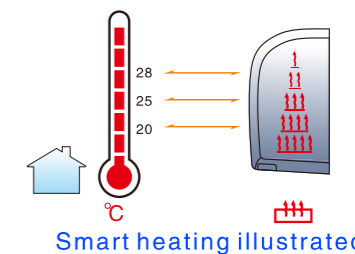
|                       |                     |                             |
|-----------------------|---------------------|-----------------------------|
| Voltage:              | 220V~240V~/50Hz     | 110~120V/60Hz               |
| Rated Power:          | 1000W               | 1000W                       |
| Current:              | 4.7A                | 9A                          |
| Degree of Protection: | IP22                | IP22                        |
| Air volume:           | 97m <sup>3</sup> /h | 97m <sup>3</sup> /h         |
| Air velocity:         | 82m/s               | 82m/s                       |
| Noise Level:          | >76dB               | >76dB                       |
| Hand drying time:     | 35S                 | 35S                         |
| Packing Size:         | 695x375x390mm       | 27 3/8" x 14 3/4" x 15 3/8" |
| Unit weight:          | 3.2kg               | 7lb                         |
| CTN QTY.: (6pcs)      | 22.4kg              | 49.4lb                      |
| CTNS of 20'FT:        | 1350pcs (225 CTNS)  |                             |



Brushless DC Motor



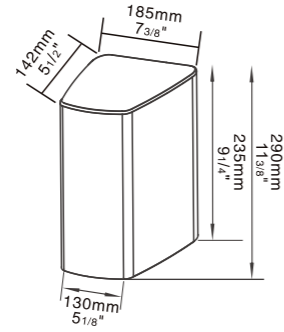
Infrared Sensor



# HAND DRYER



STAINLESS STEEL SATIN FINISH



## AUTOMATIC HAND DRYER

### GSQ120K (Universal Motor)

#### Characteristics:

- \* Energy saving: high-speed special motor, low power, high efficiency, round nozzle, centralized hot air flow, fast drying, its power rated is less than half of other hand dryers. The hand drying speed is twice as fast as common hand dryers.
- \* Safe: The intelligent hand dryer has multiple protections such as temperature buzzer, overcurrent and overtime to avoid accident.
- \* Automatic: Adopting microcomputer intelligent control chip, combining with advanced infrared receiving digital processing technology. It boasts precise and reliable control. When the hands are within 10cm range of the air outlet, the hand dryer automatically senses and outputs warm air, and automatically stops when the hands leave the air outlet for 1 second.
- \* Durable: It adopts stainless steel shell, and the ability of resisting external impact and drip-proof is greatly improved.

#### Specifications:

|                       |                      |                         |
|-----------------------|----------------------|-------------------------|
| Voltage:              | 220V-240V~/50Hz      | 110-120V/60Hz           |
| Rated Power:          | 1200W                | 1200W                   |
| Current:              | 5.45A                | 10A                     |
| Degree of Protection: | IP 22                | IP 22                   |
| Air volume:           | 114m <sup>3</sup> /h | 114m <sup>3</sup> /h    |
| Air velocity:         | 97m/s                | 97m/s                   |
| Noise Level:          | >80 dB               | >80 dB                  |
| Hand drying time:     | 28S                  | 28S                     |
| Packing Size:         | 695x355x390mm        | 27 3/8" x 14" x 15 3/8" |
| Unit weight           | 3.1kg                | 6.8lb                   |
| CTN QTY.:(6pcs)       | 21.8kg               | 48lb                    |
| CTNS of 20'FT:        | 1440pcs (240 CTNS)   |                         |



# HAND DRYER



POWDER COATING



CHROME-PLATING



ABS WHITE



ABS METALLIC SILVER

## AUTOMATIC HAND DRYER

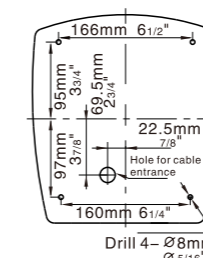
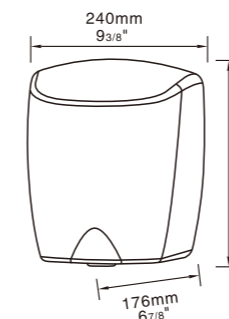
### GSQ87

#### Characteristics:

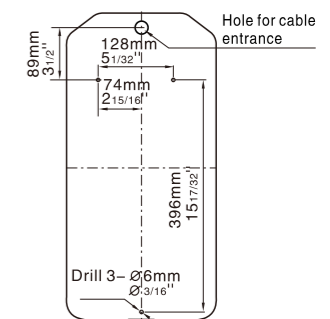
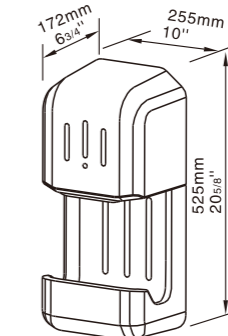
- \*High speed motor and higher efficiency: provide same hand-drying time as other hand dryers, but only cost half of power
- \*Multi-protections from overheating, overcurrent and overtime working
- \*Be controlled by CPU with infrared sensor: working accurately and reliably
- \*Alternative of cool or warm air
- \*With streamline die-cast cover; higher crash proofing and waterproof abilities

#### Specifications:

|                       |                      |                             |
|-----------------------|----------------------|-----------------------------|
| Voltage:              | 220V-240V~/50Hz      | 110-120V/60Hz               |
| Rated Power:          | 900W                 | 900W                        |
| Current:              | 3.9A                 | 8A                          |
| Degree of protection: | IP22                 | IP22                        |
| Air volume:           | 140m <sup>3</sup> /h | 140m <sup>3</sup> /h        |
| Air velocity:         | 64m/s                | 64m/s                       |
| Packing Size:         | 573x320x450mm        | 22 1/2" x 12 5/8" x 17 3/4" |
| Unit weight:          | 4kg                  | 9lb                         |
| CTN QTY.:(4pcs)       | 18.5kg               | 40.7lb                      |
| CTNS of 20'FT:        | 1440pcs (360 CTNS)   |                             |



Installation template



Installation template

## AUTOMATIC HAND DRYER

### GSQ88

#### Characteristics:

- \*High speed motor with lower rated power and higher efficiency; use 1/3 of the common dryers power, but provide 1/2 of the common dryers hand-dry time
- \*Multi-protections from overheating, overcurrent and overtime working
- \*Controlled by CPU with infrared sensor: working accurately and reliably
- \*The detachable water tray collector design can avoid wetting the floor
- \*Full-water indicator: easy to clean

#### Specifications:

|                       |                                     |                                     |
|-----------------------|-------------------------------------|-------------------------------------|
| Voltage:              | 220V-240V~/50Hz                     | 110-120V/60Hz                       |
| Rated Power:          | 880W                                | 880W                                |
| Current:              | 3.8A                                | 8A                                  |
| Anti-electric-shock:  | <input checked="" type="checkbox"/> | <input checked="" type="checkbox"/> |
| Degree of protection: | IP22                                | IP22                                |
| Air volume:           | 107m <sup>3</sup> /h                | 107m <sup>3</sup> /h                |
| Air velocity:         | 103m/s                              | 103m/s                              |
| Packing Size:         | 605x420x510mm                       | 23 3/4" x 16 1/2" x 20 1/16"        |
| Unit weight:          | 4.1kg                               | 9lb                                 |
| CTN QTY.:(4pcs)       | 20.2kg                              | 44.5lb                              |
| CTNS of 20'FT:        | 720pcs (180 CTNS)                   |                                     |



POWDER COATING

BRUSHED



POWDER COATING

SILVER POWDER COATING

## AUTOMATIC HAND DRYER

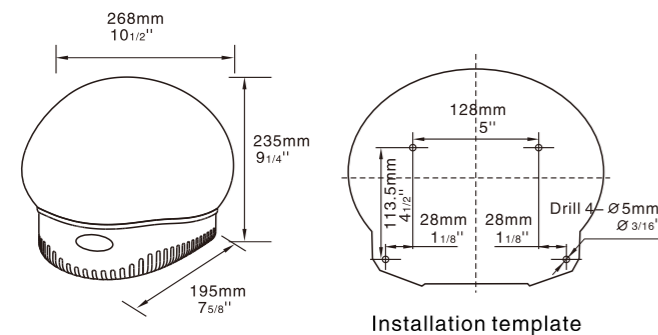
**GSQ89**

### Characteristics:

- \*High speed motor with lower rated power and higher efficiency; use less than half of the common hand dryer's power, but provide the same hand-dry time
- \*Streamline nozzle concentrates the air and makes dries hands more quickly
- \*Multi-protections from overheating, overcurrent and overtime working
- \*Controlled by CPU with infrared sensor for working accurate and reliable
- \*With streamline die cast cover; higher crash-proofing and waterproof abilities
- \*Supplied with LED, and it will automatically function when the hand dryer starts working

### Specifications:

|                       |                     |                         |
|-----------------------|---------------------|-------------------------|
| Voltage:              | 220V-240V~/50Hz     | 110-120V/60Hz           |
| Rated Power:          | 890W                | 890W                    |
| Current:              | 3.9A                | 8A                      |
| Degree of protection: | IP22                | IP22                    |
| Air volume:           | 96m <sup>3</sup> /h | 96m <sup>3</sup> /h     |
| Air velocity:         | 106m/s              | 106m/s                  |
| Packing Size:         | 545x320x480mm       | 21 1/2"x12 5/8"x18 7/8" |
| Unit weight:          | 3.8kg               | 8.4lb                   |
| CTN QTY.:(4pcs)       | 17.6kg              | 38.8lb                  |
| CTNS of 20'FT:        | 1152pcs (288 CTNS)  |                         |



Installation template

## AUTOMATIC HAND DRYER

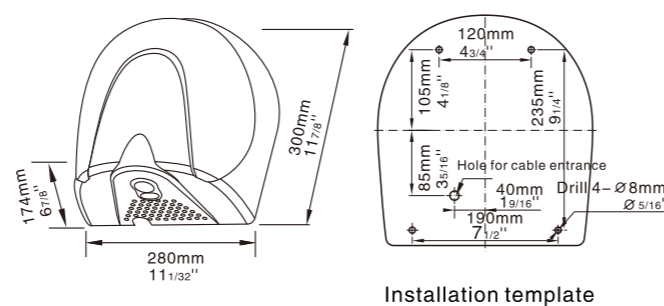
**GSQ90**

### Characteristics:

- \*High speed motor with lower rated power and higher efficiency; use less than half of the common hand dryer's power, and provide with the same hand-dry time
- \*Round nozzle design, concentrates the warm air flow
- \*Multi-protections from overheating, overcurrent and overtime working
- \*Controlled by CPU with infrared sensor to measure working accurate and reliable
- \*With streamline die-cast cover; higher crash-proofing and waterproof abilities

### Specifications:

|                       |                      |                         |
|-----------------------|----------------------|-------------------------|
| Voltage:              | 220V-240V~/50Hz      | 110-120V/60Hz           |
| Rated Power:          | 900W                 | 900W                    |
| Current:              | 3.9A                 | 8A                      |
| Degree of protection: | IP22                 | IP22                    |
| Air volume:           | 140m <sup>3</sup> /h | 140m <sup>3</sup> /h    |
| Air velocity:         | 64m/s                | 64m/s                   |
| Packing Size:         | 640x365x445mm        | 25 1/4"x14 3/8"x17 1/2" |
| Unit weight:          | 4.3kg                | 9.5lb                   |
| CTN QTY.:(4pcs)       | 20.1kg               | 44.3lb                  |
| CTNS of 20'FT:        | 1080pcs (270 CTNS)   |                         |



Installation template



POWDER COATING



POWDER COATING

## AUTOMATIC HAND DRYER

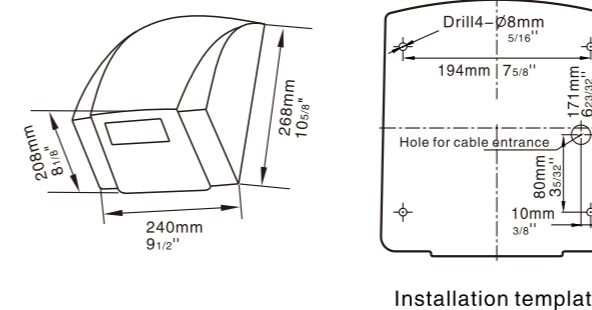
**GSX-1800**

### Characteristics:

- \*Digital circuit, infrared sensor with good anti-interference ability
- \*Sleek circular arc design with die cast cover
- \*Long lifespan motor
- \*60 seconds for each hand drying cycle
- \*Durable and fireproofing

### Specifications:

|                       |                      |                         |
|-----------------------|----------------------|-------------------------|
| Voltage:              | 220V-240V~/50Hz      | 110-120V/60Hz           |
| Rated Power:          | 1800W                | 1500W                   |
| Current:              | 7.8A                 | 13.6A                   |
| Degree of protection: | IPX1                 | IPX1                    |
| Air volume:           | 147m <sup>3</sup> /h | 147m <sup>3</sup> /h    |
| Air velocity:         | 18m/s                | 18m/s                   |
| Packing Size:         | 600x300x470mm        | 23 5/8"x11 7/8"x18 1/2" |
| Unit weight:          | 2.5kg                | 5.51lb                  |
| CTN QTY.:(4pcs)       | 16.7kg               | 36.8lb                  |
| CTNS of 20'FT:        | 1260pcs (315 CTNS)   |                         |



Installation template

## AUTOMATIC HAND DRYER

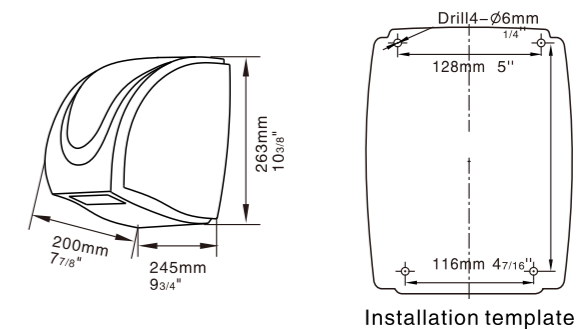
**GSX-1800A**

### Characteristics:

- \*Digital circuit, infrared sensor with good anti-interference ability
- \*Sleek circular arc design with die cast cover
- \*Long life span motor
- \*60 seconds for each hand drying cycle
- \*Durable and fire proofing

### Specifications:

|                       |                      |                         |
|-----------------------|----------------------|-------------------------|
| Voltage:              | 220V-240V~/50Hz      | 110-120V/60Hz           |
| Rated Power:          | 1800W                | 1500W                   |
| Current:              | 7.8A                 | 13.6A                   |
| Degree of protection: | IPX1                 | IPX1                    |
| Air volume:           | 147m <sup>3</sup> /h | 147m <sup>3</sup> /h    |
| Air velocity:         | 18m/s                | 18m/s                   |
| Packing Size:         | 605x325x498mm        | 23 7/8"x12 7/8"x19 5/8" |
| Unit weight:          | 3.2kg                | 7lb                     |
| CTN QTY.:(4pcs)       | 15.9kg               | 35lb                    |
| CTNS of 20'FT:        | 1008pcs (252 CTNS)   |                         |



Installation template



POWDER COATING

BRUSHED

POWDER COATING

BRUSHED

POWDER COATING

BRUSHED

POWDER COATING

BRUSHED

### AUTOMATIC HAND DRYER

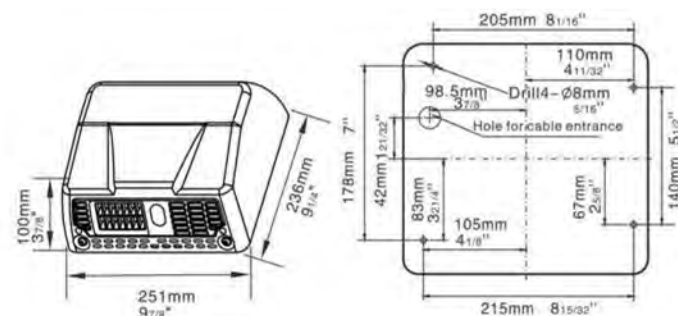
#### GSQ130

**Characteristics:**

- \*Digital circuit, infrared sensor with good anti-interference ability
- \*high blowing rate, low noise, high wind speed, short hand-dry time
- \*Die cast base, aluminium alloy cover, durable and fireproof

**Specifications:**

|                       |                      |                             |
|-----------------------|----------------------|-----------------------------|
| Voltage:              | 220V-240V~/50Hz      | 110-120V/60Hz               |
| Rated Power:          | 1300W                | 1300W                       |
| Current:              | 5.7A                 | 11.8A                       |
| Degree of protection: | IP21                 | IP21                        |
| Air volume:           | 160m <sup>3</sup> /h | 160m <sup>3</sup> /h        |
| Air velocity:         | 17m/s                | 17m/s                       |
| Packing Size:         | 590x302x450mm        | 23 1/4" x 11 7/8" x 17 3/4" |
| Unit weight:          | 3.2kg                | 7lb                         |
| CTN QTY.:(6pcs)       | 22.4kg               | 49.3lb                      |
| CTNS of 20'FT:        | 1890pcs (315 CTNS)   |                             |



Installation template

### AUTOMATIC HAND DRYER

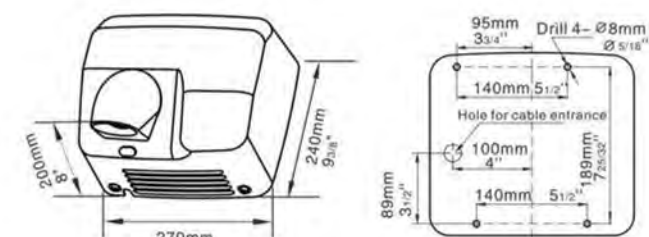
#### GSQ250

**Characteristics:**

- \*Digital circuit, infrared sensor with good anti-interference ability
- \*Long lifespan motor, high blowing rate, 10-15 seconds hand-dry time
- \*Durable, crash-proof and energy saving
- \*360° revolving nozzle

**Specifications:**

|                       |                      |                         |
|-----------------------|----------------------|-------------------------|
| Voltage:              | 220V-240V~/50Hz      | 110-120V/60Hz           |
| Rated Power:          | 2500W                | 1700W                   |
| Current:              | 10.9A                | 15.5A                   |
| Degree of protection: | IPX1                 | IPX1                    |
| Air volume:           | 270m <sup>3</sup> /h | 270m <sup>3</sup> /h    |
| Air velocity:         | 30m/s                | 30m/s                   |
| Packing Size:         | 565x330x495mm        | 22 1/4" x 13" x 19 1/2" |
| Unit weight:          | 5.6kg                | 12.3lb                  |
| CTN QTY.:(4pcs)       | 25.5kg               | 56.2lb                  |
| CTNS of 20'FT:        | 1120pcs (280 CTNS)   |                         |



Installation template

### AUTOMATIC HAND DRYER

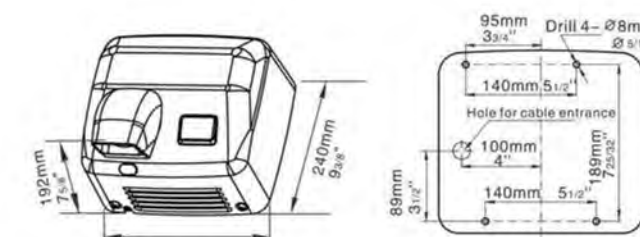
#### GSQ250B

**Characteristics:**

- \*New and unique design
- \*Digital circuit, infrared sensor with good anti-interference ability
- \*Long lifespan motor, high blowing rate, 10-15 seconds hand-dry time
- \*Durable, crash-proofing and energy saving
- \*360° revolving nozzle

**Specifications:**

|                       |                      |                         |
|-----------------------|----------------------|-------------------------|
| Voltage:              | 220V-240V~/50Hz      | 110-120V/60Hz           |
| Rated Power:          | 2500W                | 1700W                   |
| Current:              | 10.9A                | 15.5A                   |
| Degree of protection: | IPX1                 | IPX1                    |
| Air volume:           | 270m <sup>3</sup> /h | 270m <sup>3</sup> /h    |
| Air velocity:         | 30m/s                | 30m/s                   |
| Packing Size:         | 565x330x495mm        | 22 1/4" x 13" x 19 1/2" |
| Unit weight:          | 5.7kg                | 12.6lb                  |
| CTN QTY.:(4pcs)       | 25.3kg               | 55.8lb                  |
| CTNS of 20'FT:        | 1120pcs (280 CTNS)   |                         |



Installation template

### TOUCH HAND DRYER

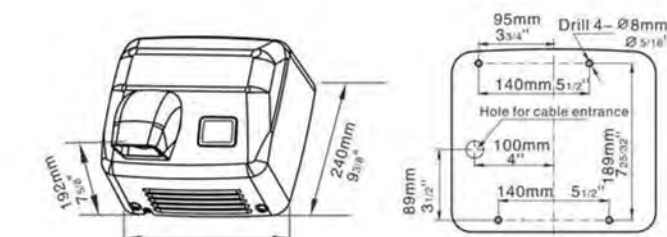
#### GSQ250C

**Characteristics:**

- \*New and unique design
- \*Digital circuit, infrared sensor with good anti-interference ability
- \*Long lifespan motor, high blowing rate, 10-15 seconds hand-dry time
- \*Durable, crash-proofing and energy saving
- \*360° revolving nozzle
- \*35 seconds every press

**Specifications:**

|                       |                      |                         |
|-----------------------|----------------------|-------------------------|
| Voltage:              | 220V-240V~/50Hz      | 110-120V/60Hz           |
| Rated Power:          | 2500W                | 1700W                   |
| Current:              | 10.9A                | 15.5A                   |
| Degree of protection: | IPX1                 | IPX1                    |
| Air volume:           | 270m <sup>3</sup> /h | 270m <sup>3</sup> /h    |
| Air velocity:         | 30m/s                | 30m/s                   |
| Packing Size:         | 565x330x495mm        | 22 1/4" x 13" x 19 1/2" |
| Unit weight:          | 5.4kg                | 11.9lb                  |
| CTN QTY.:(4pcs)       | 24.5kg               | 54lb                    |
| CTNS of 20'FT:        | 1120pcs (280 CTNS)   |                         |



Installation template



ABS WHITE

BRUSHED



POWDER COATING

### AUTOMATIC HAND DRYER

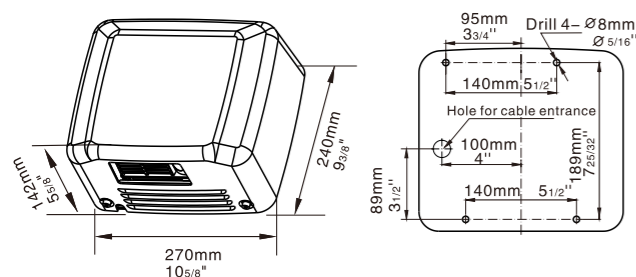
**GSQ250A**

**Characteristics:**

- \*New and unique design, metal and ABS white are available.
- \*Digital circuit, infrared sensor with good anti-interference ability
- \*Long lifespan motor, high blowing rate, 10-15 seconds hand-dry time
- \*Durable, crash-proofing and energy saving

**Specifications:**

|                             |                      |                            |
|-----------------------------|----------------------|----------------------------|
| Voltage:                    | 220V-240V~/50Hz      | 110-120V/60Hz              |
| Rated Power:                | 2500W                | 1700W                      |
| Current:                    | 10.9A                | 15.5A                      |
| Degree of protection:       | IPX1                 | IPX1                       |
| Air volume:                 | 270m <sup>3</sup> /h | 270m <sup>3</sup> /h       |
| Air velocity:               | 30m/s                | 30m/s                      |
| Packing Size:               | 574x325x385mm        | 225/8" x 12 1/4" x 15 1/8" |
| Unit weight ( metal ) :     | 5.1kg                | 11.2lb                     |
| Unit weight ( ABS ) :       | 2.9kg                | 6.4lb                      |
| CTN QTY. ( metal ) : (4pcs) | 22.8kg               | 50.2lb                     |
| CTN QTY. ( ABS ) : (4pcs)   | 14.1kg               | 31lb                       |
| CTNS of 20'FT:              | 1728pcs (432 CTNS)   |                            |



Installation template

### AUTOMATIC HAND DRYER

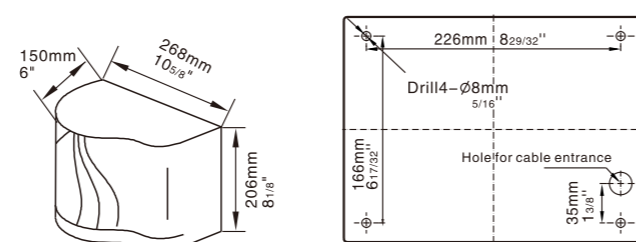
**GSX-2000**

**Characteristics:**

- \*Digital circuit, infrared sensor with good anti-interference ability
- \*Decorative appearance with die cast cover
- \*Quiet, powerful and long lifespan motor
- \*Waterproof and fireproof

**Specifications:**

|                       |                      |                         |
|-----------------------|----------------------|-------------------------|
| Voltage:              | 220V-240V~/50Hz      | 110-120V/60Hz           |
| Rated Power:          | 1600W                | 1400W                   |
| Current:              | 7A                   | 12.7A                   |
| Degree of protection: | IPX1                 | IPX1                    |
| Air volume:           | 181m <sup>3</sup> /h | 181m <sup>3</sup> /h    |
| Air velocity:         | 12m/s                | 12m/s                   |
| Packing Size:         | 500x330x445mm        | 19 3/4" x 13" x 17 1/2" |
| Unit weight:          | 3.3kg                | 7.3lb                   |
| CTN QTY. : (4pcs)     | 15.3kg               | 33.7lb                  |
| CTNS of 20'FT:        | 1540pcs (385 CTNS)   |                         |



Installation template



ABS WHITE



ABS WHITE

### AUTOMATIC HAND DRYER

**GSX-1900**

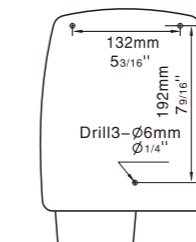
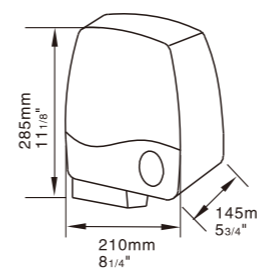
**GSX-1900A**

**Characteristics:**

- \*Beautiful design with compact ABS plastic cover
- \*Easy to install and operate
- \*Environmentally friendly and crash-proofing
- \*GSX-1900: Hand touch, 35 seconds every press
- \*GSX-1900A: Touch free, sensor technology

**Specifications:**

|                       |                     |                         |
|-----------------------|---------------------|-------------------------|
| Voltage:              | 220V-240V~/50Hz     | 110-120V/60Hz           |
| Rated Power:          | 1000W               | 1000W                   |
| Current:              | 4.3A                | 9.1A                    |
| Anti-electric-shock:  | □                   | □                       |
| Degree of protection: | IPX1                | IPX1                    |
| Air volume:           | 66m <sup>3</sup> /h | 66m <sup>3</sup> /h     |
| Air velocity:         | 13m/s               | 13m/s                   |
| Packing Size:         | 715x337x400mm       | 28" x 13 1/4" x 15 7/8" |
| Unit weight:          | 1.5kg               | 3.3lb                   |
| CTN QTY. : (6pcs)     | 12.2kg              | 26.9lb                  |
| CTNS of 20'FT:        | 1530pcs (255 CTNS)  |                         |



Installation template

### AUTOMATIC HAND DRYER

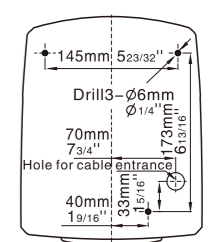
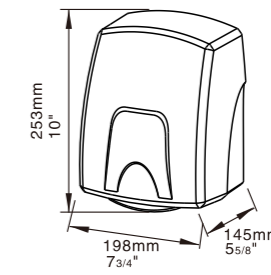
**GSQ150**

**Characteristics:**

- \*Digital circuit, infrared sensor with good anti-interference ability
- \*High speed motor with short hand-dry time and low noise
- \*Plastic cover design according to the structure of class II appliance
- \*Durable, reliable and elegant

**Specifications:**

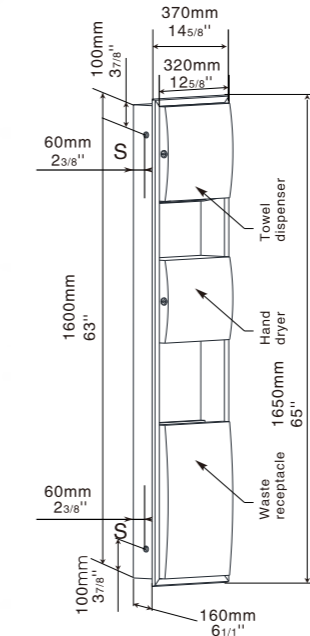
|                       |                     |                             |
|-----------------------|---------------------|-----------------------------|
| Voltage:              | 220V-240V~/50Hz     | 110-120V/60Hz               |
| Rated Power:          | 1500W               | 1500W                       |
| Current:              | 6.5A                | 13.6A                       |
| Anti-electric-shock:  | □                   | □                           |
| Degree of protection: | IP22                | IP22                        |
| Air volume:           | 88m <sup>3</sup> /h | 88m <sup>3</sup> /h         |
| Air velocity:         | 15m/s               | 15m/s                       |
| Packing Size:         | 706x292x366mm       | 27 7/8" x 14 1/2" x 14 3/8" |
| Unit weight:          | 1.7kg               | 3.7lb                       |
| CTN QTY. : (6pcs)     | 12.6kg              | 27.8lb                      |
| CTNS of 20'FT:        | 2304pcs (384 CTNS)  |                             |



Installation template

# STAINLESS STEEL WALL UNITS

## STAINLESS STEEL WALL UNITS



### RECESSED TOWEL DISPENSER /HAND DRYER/WASTE RECEPTACLE

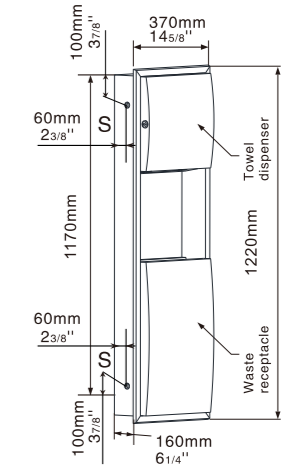
**GSG82-25-H**

#### Characteristics:

- \*Made of type 304, 22guage (0.8mm) stainless steel with satin finish, which is durable and steady
- \*Manual paper towel dispenser: Suitable for multi-fold paper towel
- \*Auto Hand dryer:
  1. Controlled by CPU with digital circuit and infrared sensor, touch free;
  2. With strong warm air, dries hands quickly;
  3. Includes thermal fuse and thermostat, double safeguard;
- \*Waste receptacle: 23L big capacity and easy to clean
- \*1 key for 3 locks

#### Specifications:

|                 |                      |                            |
|-----------------|----------------------|----------------------------|
| Voltage:        | 220V-240V~/50Hz      | 110-120V/60Hz              |
| Rated Power:    | 2500W                | 1700W                      |
| Current:        | 10.9A                | 15.5A                      |
| Air volume:     | 270m <sup>3</sup> /h | 270m <sup>3</sup> /h       |
| Air velocity:   | 30m/s                | 30m/s                      |
| Packing Size:   | 1770x490x290mm       | 67 1/2" x 17 1/8" x 9 1/4" |
| Unit weight:    | 20.3kg               | 44.8lb                     |
| CTN QTY.: (1pc) | 22.8kg               | 50.3lb                     |
| CTNS of 20'FT:  | 150pcs (150 CTNS)    |                            |



### RECESSED TOWEL DISPENSER /WASTE RECEPTACLE

**GSG63A-H**

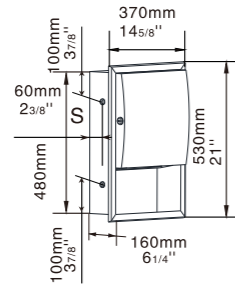
#### Characteristics:

- \*Made of type 304, 22guage (0.8mm) stainless steel with satin finish, which is durable and steady
- \*Manual paper towel dispenser: Suitable for multi-fold paper towel
- \*Waste receptacle: 23L big capacity and easy to clean
- \*1 key for 2 locks

#### Specifications:

|                 |                    |                            |
|-----------------|--------------------|----------------------------|
| Packing Size:   | 1290 x 435 x 235mm | 50 7/8" x 17 1/8" x 9 1/4" |
| Unit weight:    | 11.7kg             | 25.8lb                     |
| CTN QTY.: (1pc) | 13.8kg             | 30.4lb                     |
| CTNS of 20'FT:  | 210pcs (210 CTNS)  |                            |

# STAINLESS STEEL WALL UNITS



## TOWEL DISPENSER

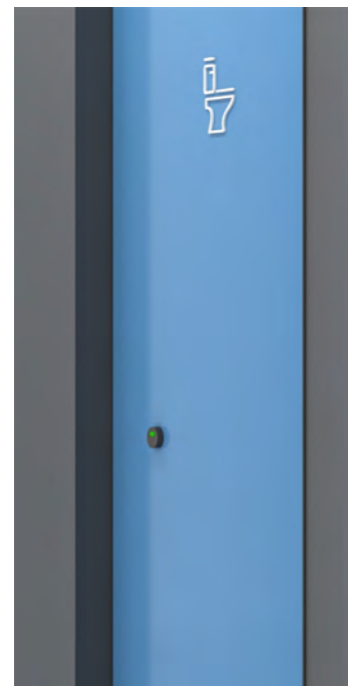
### GSG21-H

#### Characteristics:

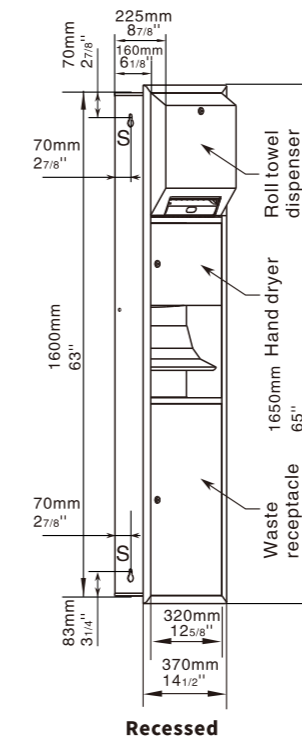
- \*Made of type 304, 22guage (0.8mm) stainless steel with satin finish, which is durable and steady
- \*Manual paper towel dispenser: Suitable for multi-fold paper towel

#### Specifications:

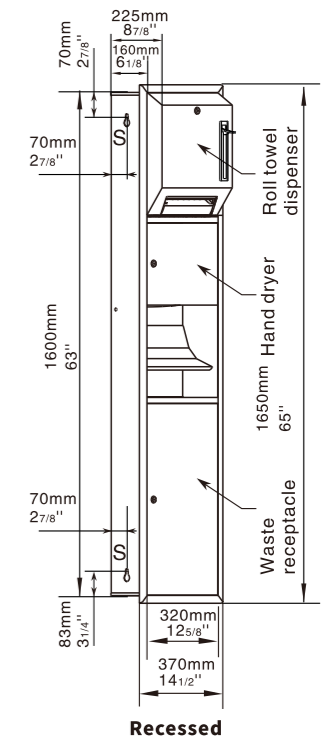
|                |                   |                             |
|----------------|-------------------|-----------------------------|
| Packing Size : | 650 x 490 x 290mm | 25 1/2" x 19 1/4" x 11 3/8" |
| Unit weight:   | 4.3kg             | 9.5lb                       |
| CTN QTY.:(1pc) | 6kg               | 13lb                        |
| CTNS of 20'FT: | 336pcs (336 CTNS) |                             |



# STAINLESS STEEL WALL UNITS



Recessed



Recessed

## RECESSED ROLL TOWEL DISPENSER /HAND DRYER/WASTE RECEPTACLE

### GSG82-25Z

#### Characteristics:

- \*Made of type 304, 22guage (0.8mm) stainless steel with satin frosted processing which is durable and steady
- \*Auto paper towel dispenser:
  1. Adopt infrared sensor, touch free;
  2. Three dispense lengths are available;
  3. Reloaded with a full roll automatically when finish an existing roll;
- \*Auto Hand dryer:
  1. Controlled by CPU with digital circuit and infrared sensor, touch free;
  2. With strong warm air flow, dries hands quickly;
  3. Includes thermal fuse and thermostat, double safeguard;
- \*Waste receptacle: 23L big capacity and easy to clean
- \*1 key for 3 locks

#### Specifications:

| Auto roll towel dispenser  | Hand dryer                                |
|--|---|
| Power: DC 4 x 1.5 R20S   | Voltage: 220V~240V~/50Hz (110V~120V/60Hz) |
| Paper roll size: width 195mm~200mm (7 1/2" ~8")<br>dia. ≤200mm(8")       | Power: 2500W(1700W)                       |
| Choices of dispense length:<br>200mm, 250mm, 300mm (8", 8 7/8", 11 7/8") | Consumption: 10.9A(15.5A)                 |
|  | Air volume: 270m <sup>3</sup> /h          |
|  | Air velocity: 30m/s                       |
| Unit weight: 22.2kg(49 lb)   |   |
| CTN QTY.:(1pc/ctn) 1715 x 435 x 300mm(67 1/2" x 17 1/8" x 11 7/8")       | 24.7kg(54.5 lb)                           |
| CTNS of 20'FT: 105pcs (105 CTNS)   |   |

## RECESSED ROLL TOWEL DISPENSER /HAND DRYER/WASTE RECEPTACLE

### GSG82-25S

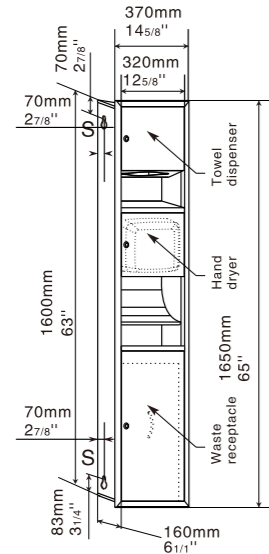
#### Characteristics:

- \*Made of type 304, 22guage (0.8mm) stainless steel with frosted processing, which is durable and steady
- \*Manual paper towel dispenser:
  1. Paper towel comes out automatically when pulling the handle down ;
  2. With the indented blade, tear out the paper easily;
- \*Auto Hand dryer:
  1. Controlled by CPU with digital circuit and infrared sensor, touch free;
  2. With strong warm air flow, dries hands quickly;
  3. Includes thermal fuse and thermostat, double safeguard;
- \*Waste receptacle: 23L big capacity and easy to clean
- \*1 key for 3 locks

#### Specifications:

| Roll towel dispenser   | Hand dryer                                |
|--|---|
| Paper roll size: width 195mm~200mm (7 1/2" ~8")<br>dia. ≤200mm(8") | Voltage: 220V~240V~/50Hz (110V~120V/60Hz) |
| Max dispense length: 120mm(4 6/8")                                 | Power: 2500W(1700W)                       |
|  | Consumption: 10.9A(15.5A)                 |
|  | Air volume: 270m <sup>3</sup> /h          |
|  | Air velocity: 30m/s                       |
| Unit weight: 21.7kg(47.8 lb)                                       |   |
| CTN QTY.:(1pc/ctn) 1715 x 435 x 300mm(67 1/2" x 17 1/8" x 11 7/8") | 24.3kg(53.6lb)                            |
| CTNS of 20'FT: 105pcs (105 CTNS)                                   |   |

# STAINLESS STEEL WALL UNITS



**Recessed**

## RECESSED TOWEL DISPENSER /HAND DRYER/WASTE RECEPTACLE

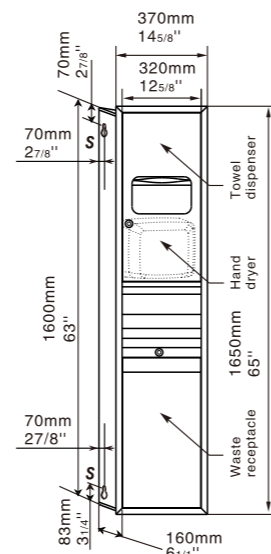
### GSG82-25

#### Characteristics:

- \*Made of type 304, 22guage (0.8mm) stainless steel with frosted processing, which is durable and steady
- \*Manual paper towel dispenser:Suitable for multi-fold paper towel
- \*Auto Hand dryer:
  - 1.Controlled by CPU with digital circuit and infrared sensor, touch free;
  - 2.With strong warm air flow, dries hands quickly;
  - 3.Includes thermal fuse and thermostat, double safeguard;
- \*Waste receptacle: 23L big capacity and easy to clean
- \*1 key for 3 locks

#### Specifications:

|                |                      |                        |
|----------------|----------------------|------------------------|
| Voltage:       | 220V-240V~/50Hz      | 110-120V/60Hz          |
| Rated Power:   | 2500W                | 1700W                  |
| Current:       | 10.9A                | 15.5A                  |
| Air volume:    | 270m <sup>3</sup> /h | 270m <sup>3</sup> /h   |
| Air velocity:  | 30m/s                | 30m/s                  |
| Packing Size:  | 1715x435x235mm       | 67 1/2"x17 1/8"x9 1/4" |
| Unit weight:   | 20.3kg               | 44.8lb                 |
| CTN QTY.:(1pc) | 22.5kg               | 49.6lb                 |
| CTNS of 20'FT: | 150pcs (150 CTNS)    |                        |



**Recessed**

## RECESSED TOWEL DISPENSER /HAND DRYER/WASTE RECEPTACLE

### GSG82-25B

#### Characteristics:

- \*Made of type 304, 22guage (0.8mm) stainless steel with frosted processing, which is durable and steady
- \*Manual paper towel dispenser:Suitable for multi-fold paper towel
- \*Auto Hand dryer:
  - 1.Controlled by CPU with digital circuit and infrared sensor, touch free;
  - 2.With strong warm air flow, dries hands quickly;
  - 3.Includes thermal fuse and thermostat, double safeguard;
- \*Waste receptacle: 23L big capacity and easy to clean
- \*1 key for 3 locks

#### Specifications:

|                |                      |                        |
|----------------|----------------------|------------------------|
| Voltage:       | 220V-240V~/50Hz      | 110-120V/60Hz          |
| Rated Power:   | 2500W                | 1700W                  |
| Current:       | 10.9A                | 15.5A                  |
| Air volume:    | 270m <sup>3</sup> /h | 270m <sup>3</sup> /h   |
| Air velocity:  | 30m/s                | 30m/s                  |
| Packing Size:  | 1715x435x235mm       | 67 1/2"x17 1/8"x9 1/4" |
| Unit weight:   | 21kg                 | 46.2lb                 |
| CTN QTY.:(1pc) | 23.3kg               | 51.4lb                 |
| CTNS of 20'FT: | 150pcs (150 CTNS)    |                        |

# STAINLESS STEEL WALL UNITS



## RECESSED TOWEL DISPENSER /WASTE RECEPTACLE

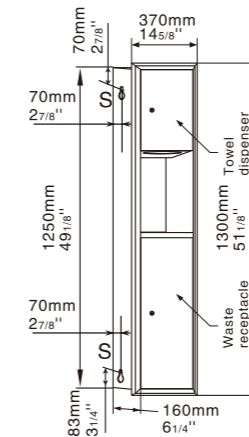
### GSG63A

#### Characteristics:

- \*Made of type 304, 22guage (0.8mm) stainless steel with frosted processing, which is durable and steady
- \*Manual paper towel dispenser:Suitable for multi-fold paper towel
- \*Waste receptacle: 23L big capacity and easy to clean
- \*1 key for 2 locks

#### Specifications:

|                |                    |                        |
|----------------|--------------------|------------------------|
| Packing Size:  | 1365 x 435 x 235mm | 53 3/4"x17 1/4"x9 3/8" |
| Unit weight:   | 12.3kg             | 27.1lb                 |
| CTN QTY.:(1pc) | 14kg               | 30.8lb                 |
| CTNS of 20'FT: | 200pcs (200 CTNS)  |                        |



**Recessed**



## TOWEL DISPENSER

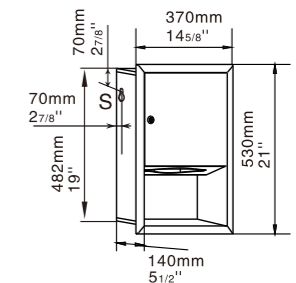
### GSG21

#### Characteristics:

- \*Made of type 304, 22guage (0.8mm) stainless steel with frosted processing, which is durable and steady
- \*Manual paper towel dispenser:Suitable for multi-fold paper towel

#### Specifications:

|                |                   |                        |
|----------------|-------------------|------------------------|
| Packing Size:  | 595 x 435 x 215mm | 23 3/8"x17 1/8"x8 1/2" |
| Unit weight:   | 4.3kg             | 9.5lb                  |
| CTN QTY.:(1pc) | 5.5kg             | 12.1lb                 |
| CTNS of 20'FT: | 495pcs (495 CTNS) |                        |



**Recessed**

# STAINLESS STEEL WALL UNITS



## TOWEL DISPENSER /WASTE RECEPTACLE

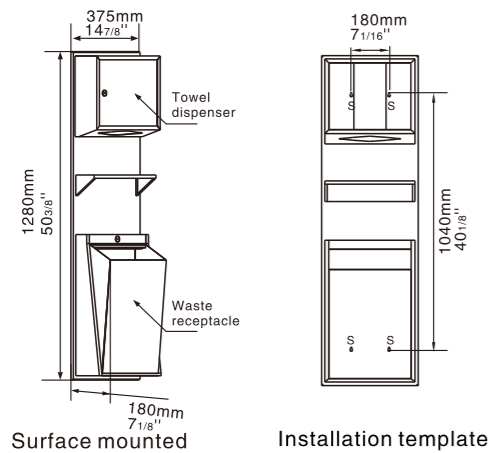
### GSG33W

#### Characteristics:

- \*Made of type 304, 22guage (0.8mm) stainless steel with frosted processing, which is durable and steady
- \*Manual paper towel dispenser:Suitable for multi-fold paper towel
- \*1 key for 2 locks

#### Specifications:

|                |                |                    |
|----------------|----------------|--------------------|
| Packing Size:  | 1370x465x215mm | 54"x18 1/4"x8 1/2" |
| Unit weight:   | 11.9kg         | 26.2lb             |
| CTN QTY.:(1pc) | 14kg           | 30.8lb             |
| CTNS of 20'FT: | 220pcs         | (220 CTNS)         |



## TOWEL DISPENSER /WASTE RECEPTACLE

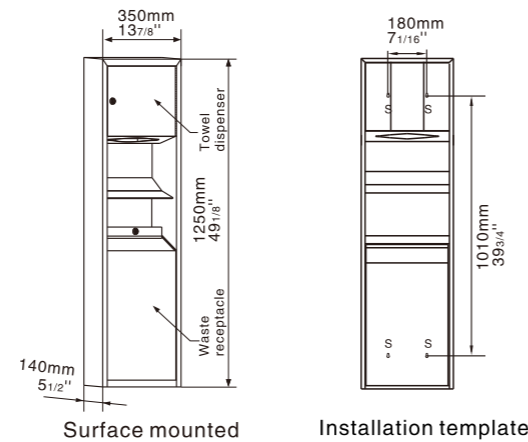
### GSG50W

#### Characteristics:

- \*Made of type 304, 22guage (0.8mm) stainless steel with frosted processing, which is durable and steady
- \*Manual paper towel dispenser:Suitable for multi-fold paper towel
- \*1 key for 2 locks

#### Specifications:

|                |                |                        |
|----------------|----------------|------------------------|
| Packing Size:  | 1315x415x215mm | 51 3/4"x16 3/8"x8 1/2" |
| Unit weight:   | 12kg           | 26.5lb                 |
| CTN QTY.:(1pc) | 14.3kg         | 31.5lb                 |
| CTNS of 20'FT: | 220pcs         | (220 CTNS)             |



# PAPER TOWEL DISPENSER



# PAPER TOWEL DISPENSER



## STAINLESS STEEL AUTO ROLL TOWEL DISPENSER

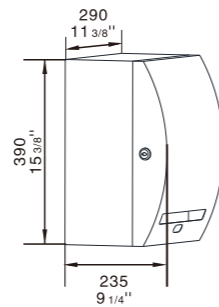
### CZQ20K-H

#### Characteristics:

- \*Quality grade 304 stainless steel 22guage (0.8mm)
- \*Touch free, sensor technology
- \*1 second interval between two dispenses, avoid wasting paper
- \*Reload a new roll automatically when finish an existing roll
- \*Battery powered

#### Specifications:

|                           |  |                         |
|---------------------------|--|-------------------------|
| Motion voltage(Optional): | AC100-240V~/50/60Hz                              |                         |
| Voltage(Default):         | DC4x1.5V(LR6)                                    | DC4x1.5V(LR6)           |
| Paper roll size:          | W195mm~200mm(7 5/8"~7 7/8"), dia. ≤200mm(7 7/8") |                         |
| Dispense lengths:         | 200mm,250mm,300mm                                | 7 7/8", 9 7/8", 11 7/8" |
| Packing Size :            | 445x345x285mm                                    | 17 1/2"x13 1/2"x11 1/8" |
| Unit weight:              | 5.5kg  | 12.11b                  |
| CTN QTY.:(1pc)            | 6.4kg  | 14.11b                  |
| CTNS of 20'FT:            | 680pcs (680 CTNS)                                |                         |



# PAPER TOWEL DISPENSER



## PAPER TOWEL DISPENSER

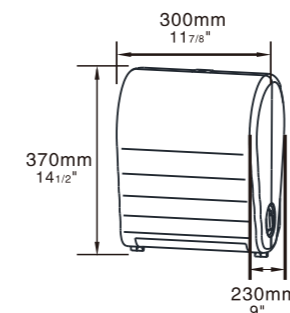
### CZQ25

#### Characteristics:

- \* Manual pull-down paper dispense design. Gently pull the paper with both hands, the paper will come out and automatically cut off. Environmentally friendly and save more energy.
- \* Each time dispense about 250mm paper, and the paper is quantitatively dispense,eliminating energy consumption and saving costs
- \* Made of ABS plastic material, durable and stable;
- \* Easy to change paper, suitable for a wide variety of paper. Single-layer rolls with a diameter less than or equal to 210mm and a width of 195~220mm is suitable for this machine.

#### Specifications:

|                   |  |                         |
|-------------------|--|-------------------------|
| Paper roll size:  | W195mm~220mm(7 1/2"~8 1/2"), dia. ≤210mm(8 1/4") |                         |
| Dispense lengths: | 250mm  | 9 7/8"                  |
| Packing Size :    | 415x345x290mm                                    | 16 3/8"x13 1/2"x11 3/8" |
| Unit weight:      | 3.2kg  | 7 lb                    |
| CTN QTY.:(1pc)    | 3.7kg  | 8.11b                   |
| CTNS of 20'FT:    | 768CTNS(768pcs)                                  |                         |



## PAPER TOWEL DISPENSER

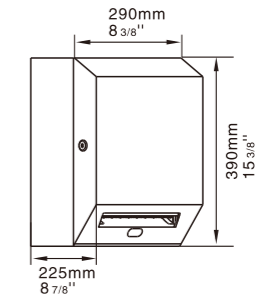
### CZQ25K1

#### Characteristics:

- \*Beautiful and luxurious appearance, novel design, with strong decorative effect
- \*Using durable imported stainless steel
- \*Manual design, eliminating energy consumption and saving costs

#### Specifications:

|                   |  |                         |
|-------------------|--|-------------------------|
| Paper roll size:  | W195mm~220mm(7 1/2"~8 1/2"), dia. ≤210mm(8 1/4") |                         |
| Dispense lengths: | 250mm  | 9 7/8"                  |
| Packing Size :    | 430x380x295mm                                    | 16 7/2"x14 7/8"x11 1/2" |
| Unit weight:      | 5.4kg  | 11.91b                  |
| CTN QTY.:(1pc)    | 6.4kg  |                         |
| CTNS of 20'FT:    | 667CTNS(667pcs)                                  |                         |



## PAPER TOWEL DISPENSER



### PAPER TOWEL DISPENSER

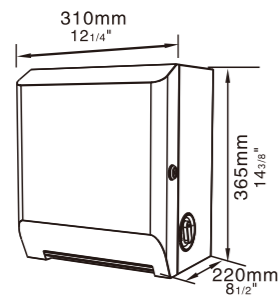
**CZQ25K2**

#### Characteristics:

- \*Beautiful and luxurious appearance, novel design, with strong decorative effect
- \*Using durable imported stainless steel
- \*Manual design, eliminating energy consumption and saving costs

#### Specifications:

|                   |  |
|-------------------|--|
| Paper roll size:  | W195mm~220mm(7 1/2"~8 1/2"), dia. ≤210mm(8 1/4") |
| Dispense lengths: | 250mm 9 7/8"                                     |
| Packing Size:     | 430x380x295mm 16 7/2"x14 7/8"x11 1/2"            |
| Unit weight:      | 5.4kg 11.9lb                                     |
| CTN QTY.:(1pc)    | 6.4kg 14.1lb                                     |
| CTNS of 20'FT:    | 667CTNS(667pcs)                                  |



### PAPER TOWEL DISPENSER

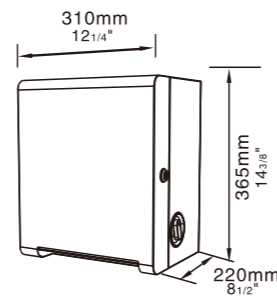
**CZQ25K3**

#### Characteristics:

- \*Beautiful and luxurious appearance, novel design, with strong decorative effect
- \*Using durable imported stainless steel
- \*Manual design, eliminating energy consumption and saving costs

#### Specifications:

|                   |  |
|-------------------|--|
| Paper roll size:  | W195mm~220mm(7 1/2"~8 1/2"), dia. ≤210mm(8 1/4") |
| Dispense lengths: | 250mm 9 7/8"                                     |
| Packing Size:     | 430x380x295mm 16 7/2"x14 7/8"x11 1/2"            |
| Unit weight:      | 5.4kg 11.9lb                                     |
| CTN QTY.:(1pc)    | 6.4kg 14.1lb                                     |
| CTNS of 20'FT:    | 667CTNS(667pcs)                                  |



## PAPER TOWEL DISPENSER



### AUTO ROLL TOWEL DISPENSER

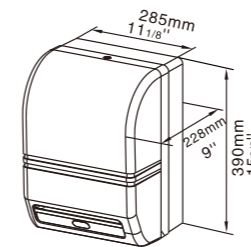
**CZQ20**

#### Characteristics:

- \*Touch free, sensor technology
- \*1 second interval between two dispenses, avoid paper waste
- \*Reload a new roll automatically when finish an existing roll
- \*Battery powered

#### Specifications:

|                           |  |
|---------------------------|--|
| Motion voltage(Optional): | AC100~240V~/50/60Hz                              |
| Voltage(Default):         | DC4x1.5V(LR6) DC4x1.5V(LR6)                      |
| Paper roll size:          | W195mm~200mm(7 5/8"~7 7/8"), dia. ≤200mm(7 7/8") |
| Dispense lengths:         | 200mm,250mm,300mm 7 7/8",9 7/8",11 7/8"          |
| Packing Size:             | 445x345x290mm 17 1/2"x13 1/2"x11 3/8"            |
| Unit weight:              | 3kg 6.6lb  |
| CTN QTY.:(1pc)            | 4kg 8.8lb  |
| CTNS of 20'FT:            | 680pcs (680 CTNS)                                |



### STAINLESS STEEL AUTO ROLL TOWEL DISPENSER

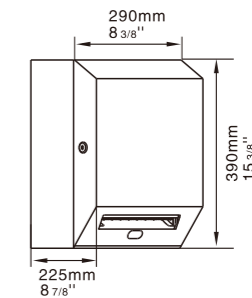
**CZQ20K**

#### Characteristics:

- \*Quality grade 304 stainless steel 22guage (0.8mm)
- \*Touch free, sensor technology
- \*1 second interval between two dispenses, avoid wasting paper
- \*Reload a new roll automatically when finish an existing roll
- \*Battery powered

#### Specifications:

|                           |  |
|---------------------------|--|
| Motion voltage(Optional): | AC100~240V~/50/60Hz                              |
| Voltage(Default):         | DC4x1.5V(LR6) DC4x1.5V(LR6)                      |
| Paper roll size:          | W195mm~200mm(7 5/8"~7 7/8"), dia. ≤200mm(7 7/8") |
| Dispense lengths:         | 200mm,250mm,300mm 7 7/8",9 7/8",11 7/8"          |
| Packing Size:             | 445x345x285mm 17 1/2"x13 1/2"x11 1/8"            |
| Unit weight:              | 5kg 11lb   |
| CTN QTY.:(1pc)            | 5.8kg 12.8lb                                     |
| CTNS of 20'FT:            | 680pcs (680 CTNS)                                |



# PAPER TOWEL DISPENSER



## STAINLESS STEEL AUTO ROLL TOWEL DISPENSER

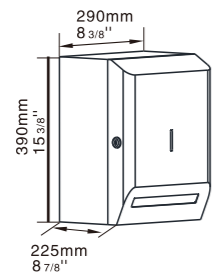
**CZQ20K-R**

### Characteristics:

- \*Quality grade 304 stainless steel 22guage (0.8mm)
- \*Touch free, sensor technology
- \*1 second interval between two dispenses, avoid paper waste
- \*Reload a new roll automatically when finish an existing roll
- \*Battery powered

### Specifications:

Motion voltage(Optional):AC100-240V~/50/60Hz  
 Voltage(Default): DC4x1.5V(LR6) DC4x1.5V(LR6)  
 Paper roll size: W195mm~200mm(7<sup>5</sup>/<sub>8</sub>"~7<sup>7</sup>/<sub>8</sub>"),dia.≤200mm(7<sup>7</sup>/<sub>8</sub>")  
 Dispense lengths: 200mm,250mm,300mm 7<sup>7</sup>/<sub>8</sub>",9<sup>7</sup>/<sub>8</sub>",11<sup>7</sup>/<sub>8</sub>"  
 Packing Size: 445x345x285mm 17<sup>1</sup>/<sub>2</sub>"x13<sup>1</sup>/<sub>2</sub>"x11<sup>1</sup>/<sub>8</sub>"  
 Unit weight: 5kg 11lb  
 CTN QTY.:(1pc) 5.8kg 12.8lb  
 CTNS of 20'FT: 680pcs (680 CTNS)



## STAINLESS STEEL MANUAL ROLL TOWEL DISPENSER

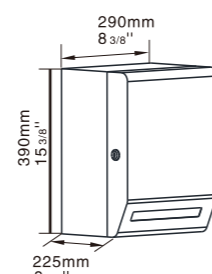
**CZQ20K-R1**

### Characteristics:

- \*Quality grade 304 stainless steel 22guage (0.8mm)
- \*Touch free, sensor technology
- \*1 second interval between two dispenses, avoid paper waste
- \*Reload a new roll automatically when finish an existing roll
- \*Battery powered

### Specifications:

Motion voltage(Optional):AC100-240V~/50/60Hz  
 Voltage(Default): DC4x1.5V(LR6) DC4x1.5V(LR6)  
 Paper roll size: W195mm~200mm(7<sup>5</sup>/<sub>8</sub>"~7<sup>7</sup>/<sub>8</sub>"),dia.≤200mm(7<sup>7</sup>/<sub>8</sub>")  
 Dispense lengths: 200mm,250mm,300mm 7<sup>7</sup>/<sub>8</sub>",9<sup>7</sup>/<sub>8</sub>",11<sup>7</sup>/<sub>8</sub>"  
 Packing Size: 445x345x285mm 17<sup>1</sup>/<sub>2</sub>"x13<sup>1</sup>/<sub>2</sub>"x11<sup>1</sup>/<sub>8</sub>"  
 Unit weight: 5kg 11lb  
 CTN QTY.:(1pc) 5.8kg 12.8lb  
 CTNS of 20'FT: 680pcs (680 CTNS)



## MANUAL ROLL TOWEL DISPENSER

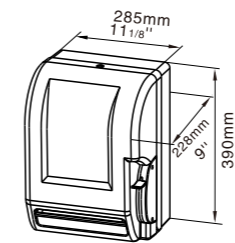
**CZQ20S**

### Characteristics:

- \*Dispense manually; functioning without any power, energy conservation
- \*Easy to handle
- \*Reload a new roll automatically when finish an existing roll

### Specifications:

Max dispense length: 120mm(4<sup>5</sup>/<sub>8</sub>"")  
 Paper roll size: W195mm~200mm(7<sup>5</sup>/<sub>8</sub>"~7<sup>7</sup>/<sub>8</sub>"),dia.≤200mm(7<sup>7</sup>/<sub>8</sub>")  
 Packing Size: 445x345x290mm 17<sup>1</sup>/<sub>2</sub>"x13<sup>1</sup>/<sub>2</sub>"x11<sup>3</sup>/<sub>8</sub>"  
 Unit weight: 2.6kg 5.7lb  
 CTN QTY.:(1pc) 3.4kg 7.5lb  
 CTNS of 20'FT: 680pcs (680 CTNS)



# PAPER TOWEL DISPENSER



## STAINLESS STEEL MANUAL ROLL TOWEL DISPENSER

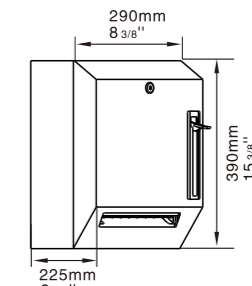
**CZQ20KS**

### Characteristics:

- \*Quality grade 304 stainless steel 22guage (0.8mm)
- \*Dispense manually; functioning without any power, save cost
- \*Easy to handle
- \*Reload a new roll automatically when finish an existing roll

### Specifications:

Max dispense length: 120mm(4<sup>5</sup>/<sub>8</sub>"")  
 Paper roll size: W195mm~200mm(7<sup>5</sup>/<sub>8</sub>"~7<sup>7</sup>/<sub>8</sub>"), dia.≤200mm(7<sup>7</sup>/<sub>8</sub>")  
 Packing Size: 445x345x285mm 17<sup>1</sup>/<sub>2</sub>"x 13<sup>1</sup>/<sub>2</sub>"x 11<sup>1</sup>/<sub>8</sub>"  
 Unit weight: 4.5kg 10lb  
 CTN QTY.:(1pc) 5.5kg 12.1lb  
 CTNS of 20'FT: 680pcs (680 CTNS)



# PAPER TOWEL DISPENSER



## TOWEL DISPENSER

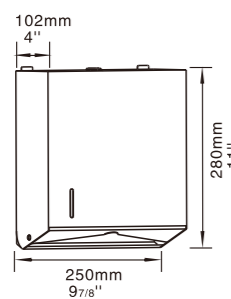
**ZJH6**

### Characteristics:

- \*Quality grade 304 stainless steel 22guage (0.8mm)
- \*Guide rails for paper towels
- \*Stylish paper towel viewing indicator
- \*Lockable

### Specifications:

|                   |                    |                              |
|-------------------|--------------------|------------------------------|
| Packing Size :    | 580x320x545mm      | 22 7/8" x 12 5/8" x 20 7/16" |
| Unit weight:      | 1.9kg              | 4.2lb                        |
| CTN QTY.: (10pcs) | 21.6kg             | 47.6lb                       |
| CTNS of 20'FT:    | 2880pcs (288 CTNS) |                              |



## TOWEL DISPENSER

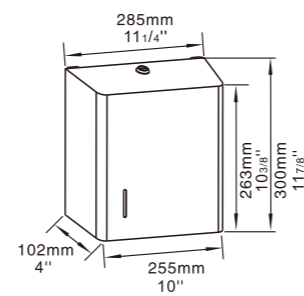
**ZJH6W1**

### Characteristics:

- \*Quality grade 304 stainless steel 22guage
- \*Guide rails for paper towels
- \*Stylish paper towel viewing indicator
- \*Lockable

### Specifications:

|                   |                  |                             |
|-------------------|------------------|-----------------------------|
| Packing Size :    | 580x315x655mm    | 22 7/8" x 12 3/8" x 25 3/4" |
| Unit weight:      | 1.27kg           | 2.8lb                       |
| CTN QTY.: (10pcs) | 16kg             | 35.3lb                      |
| CTNS of 20'FT:    | 2100CTNS(210pcs) |                             |



## TOWEL DISPENSER

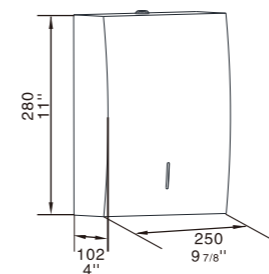
**ZJH12H**

### Characteristics:

- \*Quality grade 304 stainless steel 22guage (0.8mm)
- \*Stylish paper towel viewing indicator
- \*Lockable

### Specifications:

|                  |                    |                         |
|------------------|--------------------|-------------------------|
| Packing Size :   | 600x395x415mm      | 15 1/4" x 10" x 10 1/2" |
| Unit weight:     | 3.6kg              | 7.9lb                   |
| CTN QTY.: (6pcs) | 24kg               | 53lb                    |
| CTNS of 20'FT:   | 1890pcs (315 CTNS) |                         |



# PAPER TOWEL DISPENSER



## TOWEL DISPENSER

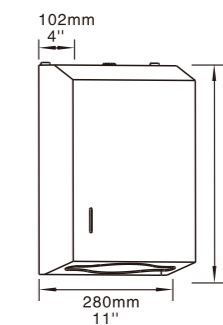
**ZJH11**

### Characteristics:

- \*Quality grade 304 stainless steel 22guage (0.8mm)
- \*Stylish paper towel viewing indicator
- \*Lockable

### Specifications:

|                   |                   |                             |
|-------------------|-------------------|-----------------------------|
| Packing Size :    | 580x410x600mm     | 22 7/8" x 16 1/8" x 23 5/8" |
| Unit weight:      | 2.2kg             | 4.8lb                       |
| CTN QTY.: (10pcs) | 25.4kg            | 56lb                        |
| CTNS of 20'FT:    | 1680pcs(168 CTNS) |                             |



# PAPER TOWEL DISPENSER

# PAPER TOWEL DISPENSER



POWDER COATING

BRUSHED

## ROLL TISSUE HOLDER

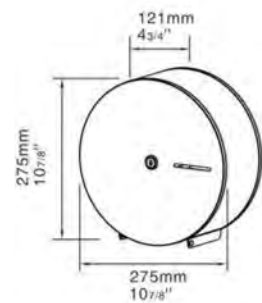
**JZH275K**

### Characteristics:

- \* Available in satin stainless steel or white finish, see options
- \* Quality grade 304 stainless steel 22 gauge (0.8mm)
- \* Unique stylish design, easy viewing indicator
- \* Size:  $\varnothing 280\text{mm}$ , Depth: 130mm
- \* Maximum roll size:  $\varnothing 250\text{mm}$ , D100mm
- \* Inner core:  $\varnothing 43\text{mm}$  and  $\varnothing 54\text{mm}$

### Specifications:

|                 |                    |                         |
|-----------------|--------------------|-------------------------|
| Packing Size:   | 590x410x305mm      | 23 1/4" x 16 1/8" x 12" |
| Unit weight:    | 1.5kg              | 3.3lb                   |
| CTN QTY.:(6pcs) | 11.5kg             | 25.4lb                  |
| CTNS of 20'FT:  | 3234pcs (539 CTNS) |                         |



## ROLL TISSUE HOLDER

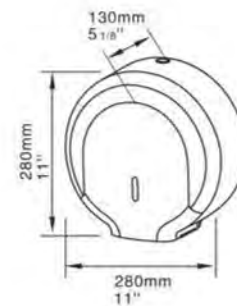
**JZH25K**

### Characteristics:

- \* Available in satin stainless steel or white finish, see options
- \* Quality grade 304 stainless steel 22 gauge (0.8mm)
- \* Unique stylish design, easy viewing indicator
- \* Size:  $\varnothing 280\text{mm}$ , Depth: 130mm
- \* Maximum roll size:  $\varnothing 250\text{mm}$ , D100mm
- \* Inner core:  $\varnothing 43\text{mm}$  and  $\varnothing 54\text{mm}$

### Specifications:

|                 |                    |                             |
|-----------------|--------------------|-----------------------------|
| Packing Size:   | 575x305x317mm      | 22 7/8" x 12 1/4" x 12 3/8" |
| Unit weight:    | 1.4kg              | 3.1lb                       |
| CTN QTY.:(4pcs) | 6.7kg              | 14.8lb                      |
| CTNS of 20'FT:  | 2128pcs (532 CTNS) |                             |



## ROLL TISSUE HOLDER

**JZH242**

### Characteristics:

- \* ABS engineering plastic shell with aesthetic outfit and exquisite design which brings decorative characteristic to this towel dispenser.
- \* Compatible tissue size: length:  $\leq 242\text{mm}$ , wide:  $\leq 75\text{mm}$ .
- \* Containable tissue high:  $\leq 102\text{mm}$ .

### Specifications:

|                  |                    |                             |
|------------------|--------------------|-----------------------------|
| Packing Size:    | 590x430x640mm      | 23 1/4" x 16 7/8" x 25 1/4" |
| Unit weight:     | 12kg               | 26.5lb                      |
| CTN QTY.:(12pcs) | 15.7kg             | 34.6lb                      |
| CTNS of 20'FT:   | 2364pcs (197 CTNS) |                             |



## TOWEL DISPENSER

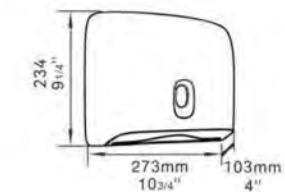
**ZJH230**

### Characteristics:

- \* ABS engineering plastic shell with aesthetic outfit and exquisite design which brings decorative characteristic to this towel dispenser.
- \* Compatible tissue size: length:  $\leq 230\text{mm}$ , wide:  $\leq 80\text{mm}$ .
- \* Containable tissue high:  $\leq 165\text{mm}$ .

### Specifications:

|                  |                    |                             |
|------------------|--------------------|-----------------------------|
| Packing Size:    | 575x445x505mm      | 22 1/2" x 13 1/2" x 19 7/8" |
| Unit weight:     | 11kg               | 24.2lb                      |
| CTN QTY.:(16pcs) | 14.5kg             | 32lb                        |
| CTNS of 20'FT:   | 3328pcs (208 CTNS) |                             |



# PAPER TOWEL DISPENSER



## TOWEL DISPENSER

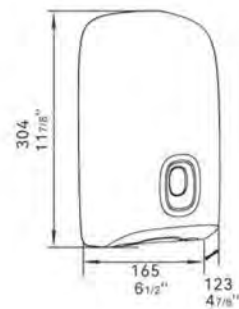
### ZJH120

#### Characteristics:

- \*ABS engineering plastic shell with aesthetic outfit and exquisite design which brings decorative characteristic to this towel dispenser.
- \*Compatible tissue size: length: ≤ 120mm, wide: ≤ 95mm.
- \*Containable tissue high: ≤ 240mm.

#### Specifications:

|                  |                    |   |
|------------------|--------------------|---|
| Packing Size:    | 685x545x335mm      | 17 <sup>3</sup> / <sub>8</sub> "x13 <sup>7</sup> / <sub>8</sub> "x8 <sup>1</sup> / <sub>2</sub> " |
| Unit weight:     | 9.3kg              | 20.5lb  |
| CTN QTY.:(15pcs) | 12.3kg             | 27lb  |
| CTNS of 20'FT:   | 3570pcs (238 CTNS) |   |



## ROLL TISSUE HOLDER

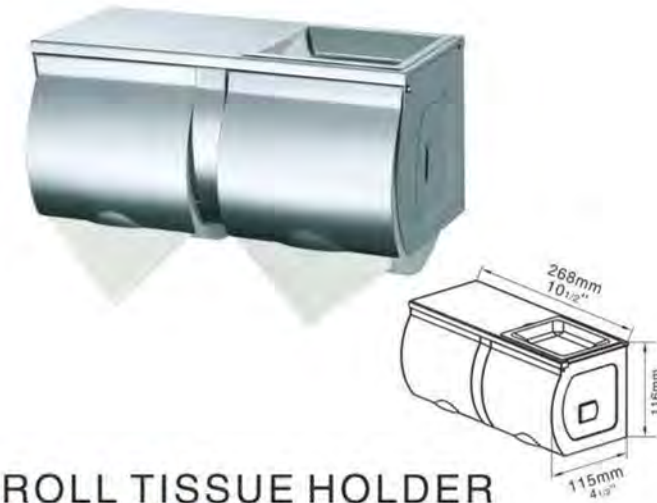
### JZH210W

#### Characteristics:

- \*Quality grade 304 stainless steel 22guage (0.8mm)
- \*Two rollers / idlers, only 1 roll is accessible at a time
- \*Guide rails for rollers / idlers
- \*lockable, no more toilet roll theft

#### Specifications:

|                 |                    |  |
|-----------------|--------------------|--|
| Packing Size:   | 595x320x300mm      | 23 <sup>3</sup> / <sub>8</sub> "x12 <sup>5</sup> / <sub>8</sub> "x11 <sup>7</sup> / <sub>8</sub> " |
| Unit weight:    | 2.1kg              | 4.6lb  |
| CTN QTY.:(8pcs) | 18.5kg             | 41lb   |
| CTNS of 20'FT:  | 3528pcs (441 CTNS) |  |



## ROLL TISSUE HOLDER

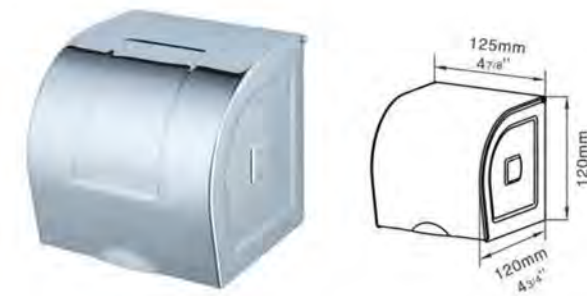
### JZH210W1

#### Characteristics:

- \*Available in satin stainless steel or polished finish, see options
- \*Quality grade 304 stainless steel 22guage (0.8mm)

#### Specifications:

|                  |                    |  |
|------------------|--------------------|--|
| Packing Size:    | 507x290x395mm      | 20 <sup>3</sup> / <sub>4</sub> "x11 <sup>3</sup> / <sub>8</sub> "x15 <sup>1</sup> / <sub>2</sub> " |
| Unit weight:     | 1kg                | 2.2lb  |
| CTN QTY.:(12pcs) | 14kg               | 31lb   |
| CTNS of 20'FT:   | 6336pcs (528 CTNS) |  |



## ROLL TISSUE HOLDER

### JZH10W2

#### Characteristic:

- \*Available in satin stainless steel or polished finish, see options
- \*Quality grade 304 stainless steel 22guage (0.8mm)

#### Specifications:

|                  |                     |   |
|------------------|---------------------|---|
| Packing Size:    | 527x280x416mm       | 20 <sup>3</sup> / <sub>4</sub> "x11"x16 <sup>3</sup> / <sub>8</sub> " |
| Unit weight:     | 0.5kg               | 1.1lb   |
| CTN QTY.:(24pcs) | 15.2kg              | 33.5lb  |
| CTNS of 20'FT:   | 10560pcs (440 CTNS) |   |

# PAPER TOWEL DISPENSER



## ROLL TISSUE HOLDER

### JZH10W1

#### Characteristics:

- \*Available in satin stainless steel or polished finish, see options
- \*Quality grade 304 stainless steel 22guage (0.8mm)

#### Specifications:

|                  |                     |   |
|------------------|---------------------|---|
| Packing Size:    | 527x280x416mm       | 20 <sup>3</sup> / <sub>4</sub> "x11"x16 <sup>3</sup> / <sub>8</sub> " |
| Unit weight:     | 0.5kg               | 1.1lb   |
| CTN QTY.:(24pcs) | 15.2kg              | 33.5lb  |
| CTNS of 20'FT:   | 10560pcs (440 CTNS) |   |



## ROLL TISSUE HOLDER

### JZH10W3

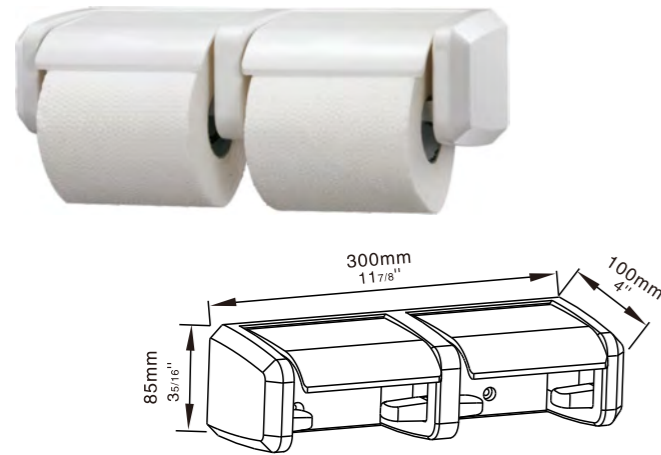
#### Characteristic:

- \*Available in satin stainless steel or polished finish, see options
- \*Quality grade 304 stainless steel 22guage (0.8mm)

#### Specifications:

|                 |                     |  |
|-----------------|---------------------|--|
| Packing Size:   | 507x290x395mm       | 20 <sup>3</sup> / <sub>4</sub> "x11 <sup>3</sup> / <sub>8</sub> "x15 <sup>1</sup> / <sub>2</sub> " |
| Unit weight:    | 0.5kg               | 1.1lb  |
| Package:(24pcs) | 14.5kg              | 32lb   |
| CTNS of 20'FT:  | 12672pcs (528 CTNS) |  |

# PAPER TOWEL DISPENSER



## ROLL TISSUE HOLDER

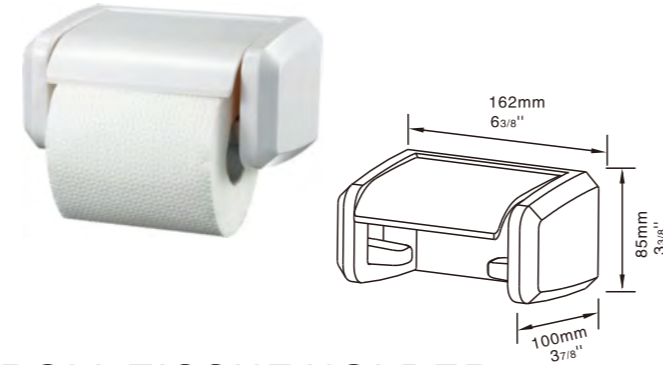
**JZH212W1**

### Characteristics:

\*Maximum roll size: Ø120mm, W 115mm

### Specifications:

|                  |                    |                             |
|------------------|--------------------|-----------------------------|
| Packing Size:    | 630x335x580mm      | 24 3/4" x 13 1/8" x 22 3/4" |
| Unit weight:     | 0.4kg              | 0.8lb                       |
| CTN QTY.:(36pcs) | 17.8kg             | 39.2lb                      |
| CTNS of 20'FT:   | 9072pcs (252 CTNS) |                             |



## ROLL TISSUE HOLDER

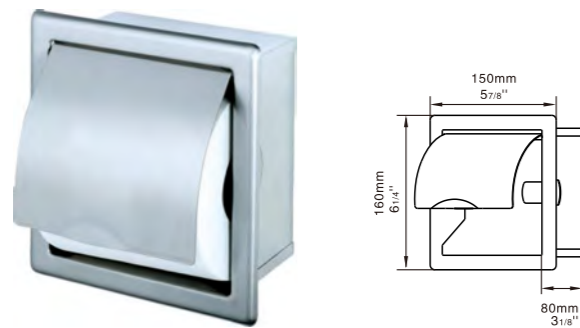
**JZH12W1**

### Characteristics:

\*Maximum roll size: Ø120mm, W 115mm

### Specifications:

|                  |                     |                             |
|------------------|---------------------|-----------------------------|
| Packing Size:    | 525x290x450mm       | 20 3/4" x 11 3/8" x 17 7/8" |
| Unit weight:     | 0.2kg               | 0.4lb                       |
| CTN QTY.:(36pcs) | 10.8kg              | 23.8lb                      |
| CTNS of 20'FT:   | 15840pcs (440 CTNS) |                             |



## ROLL TISSUE HOLDER

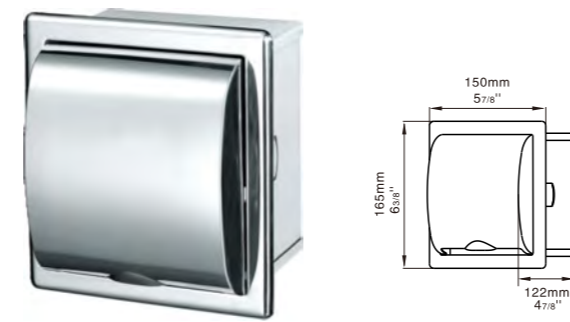
**JZH10N1**

### Characteristic:

- \*Available in satin stainless steel or polished finish, see options
- \*Quality grade 304 stainless steel 22guage (0.8mm)
- \*Recessed design

### Specifications:

|                  |                    |                             |
|------------------|--------------------|-----------------------------|
| Packing Size:    | 488x352x405mm      | 19 1/4" x 13 7/8" x 15 7/8" |
| Unit weight:     | 0.5kg              | 1.1lb                       |
| CTN QTY.:(24pcs) | 15.4kg             | 34lb                        |
| CTNS of 20'FT:   | 8640pcs (360 CTNS) |                             |



## ROLL TISSUE HOLDER

**JZH10N2**

### Characteristic:

- \*Available in satin stainless steel or polished finish, see options
- \*Quality grade 304 stainless steel 22guage (0.8mm)
- \*Recessed design

### Specifications:

|                  |                    |                             |
|------------------|--------------------|-----------------------------|
| Packing Size:    | 528x327x548mm      | 20 7/8" x 12 7/8" x 21 5/8" |
| Unit weight:     | 0.7kg              | 1.6lb                       |
| CTN QTY.:(24pcs) | 20.3kg             | 44.8lb                      |
| CTNS of 20'FT:   | 7392pcs (308 CTNS) |                             |

# SOAP DISPENSER



# AUTO SOAP DISPENSER



## AUTO SOAP DISPENSER

**ZYQ100K**

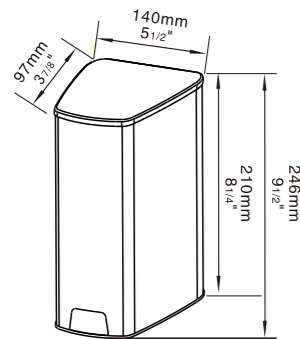
### Characteristics:

- \* Beautiful and durable stainless steel shell.
- \* Digital circuit control with strong anti-interference ability.
- \* AC+DC power supply, low energy consumption to ensure long time using.
- \* Infrared automatic sensing, to prevent malfunction.
- \* Suitable for any kinds of washing solutions, such as shampoo, body lotion, etc.
- \* Display the patterns of full, liquid and liquid-deficient according to the liquid position in the bottle.

### Specifications:

Motion voltage(Optional): AC100-240V~/50/60Hz

|                   |                  |                     |
|-------------------|------------------|---------------------|
| Voltage(Default): | DC4x1.5V(LR6)    | DC4x1.5V(LR6)       |
| Capacity:         | 880mL            | 880mL               |
| Dose:             | 1mL              | 1mL                 |
| Packing Size:     | 525x310x330mm    | 20.5/8"x12.1/4"x13" |
| Unit weight:      | 0.9kg            | 2lb                 |
| CTN QTY.:(12pcs)  | 12.4kg           | 27.3lb              |
| CTNS of 20'FT:    | 6888pcs(574CTNS) |                     |



## AUTO SOAP DISPENSER

**ZYQ110K-H**

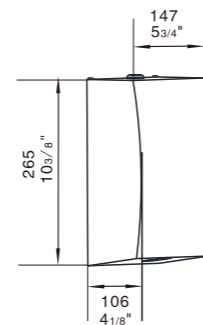
### Characteristics:

- \* Touch free, sensor technology
- \* Non-drip pump mechanism
- \* Easy to refill
- \* 3 seconds interval for two doses, max 10 doses for single operation
- \* Valuable locking system to deter theft and maintain content integrity

### Specifications:

Motion voltage(Optional): AC100-240V~/50/60Hz

|                   |                    |                         |
|-------------------|--------------------|-------------------------|
| Voltage(Default): | DC4x1.5V(LR6)      | DC4x1.5V(LR6)           |
| Capacity:         | 1100mL             | 1100mL                  |
| Dose:             | 1mL                | 1mL                     |
| Packing Size:     | 570x325x370mm      | 22.3/8"x12.7/8"x14.1/2" |
| Unit weight:      | 22kg               | 48.5lb                  |
| CTN QTY.:(12pcs)  | 25.4kg             | 56lb                    |
| CTNS of 20'FT:    | 5184pcs (432 CTNS) |                         |



## AUTO SOAP DISPENSER

**ZYQ110K-R**

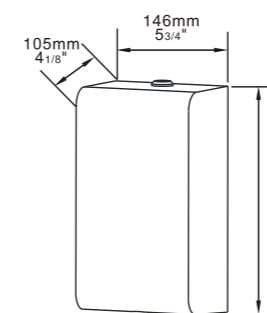
### Characteristics:

- \* Touch free, sensor technology
- \* Non-drip pump mechanism
- \* Easy to refill
- \* 3 seconds interval for two doses, max 10 doses for single operation
- \* Valuable locking system to deter theft and maintain content integrity

### Specifications:

Motion voltage(Optional): AC100-240V~/50/60Hz

|                   |                    |                         |
|-------------------|--------------------|-------------------------|
| Voltage(Default): | DC4x1.5V(LR6)      | DC4x1.5V(LR6)           |
| Capacity:         | 1100mL             | 1100mL                  |
| Dose:             | 1mL                | 1mL                     |
| Packing Size:     | 570x325x370mm      | 22.3/8"x12.3/4"x14.1/2" |
| Unit weight:      | 1.5kg              | 3.3lb                   |
| CTN QTY.:(12pcs)  | 20.7kg             | 45.6lb                  |
| CTNS of 20'FT:    | 5184pcs (432 CTNS) | 45.6lb                  |



## AUTO SOAP DISPENSER

**ZYQ210K-R**

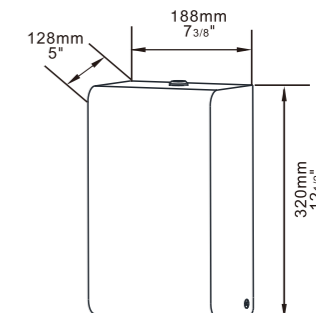
### Characteristics:

- \* Quality stainless steel construction
- \* Touch free, sensor technology
- \* Sizeable 2 Ltr cartridge

### Specifications:

Motion voltage(Optional): AC100-240V~/50/60Hz

|                   |                    |                         |
|-------------------|--------------------|-------------------------|
| Voltage(Default): | DC4x1.5V(LR6)      | DC4x1.5V(LR6)           |
| Capacity:         | 4x1.5V(LR6)        | 4x1.5V(LR6)             |
| Capacity:         | 2000mL             | 2000mL                  |
| Dose:             | 1mL                | 1mL                     |
| Packing Size:     | 427x410x360mm      | 16.3/4"x16.1/8"x14.1/8" |
| Unit weight:      | 2kg                | 4.4lb                   |
| CTN QTY.:(6pcs)   | 14kg               | 30.8lb                  |
| CTNS of 20'FT:    | 2880pcs (480 CTNS) |                         |



# AUTO SOAP DISPENSER



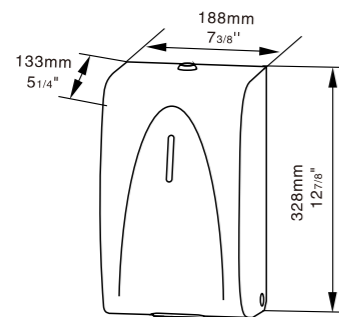
## AUTO SOAP DISPENSER ZYQ210K

### Characteristics:

- \*Quality stainless steel construction
- \*Touch free, sensor technology
- \*Sizeable 2 Ltr cartridge

Motion voltage(Optional):AC100-240V~/50/60Hz

|                   |                              |                              |
|-------------------|------------------------------|------------------------------|
| Voltage(Default): | DC4x1.5V(LR6)<br>4x1.5V(LR6) | DC4x1.5V(LR6)<br>4x1.5V(LR6) |
| Capacity:         | 2000mL                       | 2000mL                       |
| Dose:             | 1mL                          | 1mL                          |
| Packing Size:     | 427x410x360mm                | 163/4"x161/8"x141/8"         |
| Unit weight:      | 2kg<br>4.4lb                 | 30.8lb                       |
| CTN QTY.:(6pcs)   | 14kg                         |                              |
| CTNS of 20'FT:    | 2520pcs (420 CTNS)           |                              |



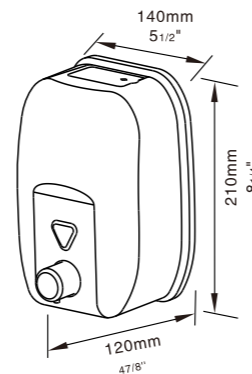
## TOUCH SOAP DISPENSER ZYQ180

### Characteristics:

- \*Quality stainless steel construction
- \*Manual push button operation
- \*Easy to refill
- \*Valuable locking system to deter theft and maintain content integrity

### Specifications:

|                  |                    |                     |
|------------------|--------------------|---------------------|
| Capacity:        | 1800mL             | 1800mL              |
| Dose:            | 1mL                | 1mL                 |
| Packing Size:    | 523x305x452mm      | 20 5/8"x12"x17 7/8" |
| Unit weight:     | 0.7kg<br>1.5lb     | 28.5lb              |
| CTN QTY.:(16pcs) | 13kg               |                     |
| CTNS of 20'FT:   | 6160pcs (385 CTNS) |                     |



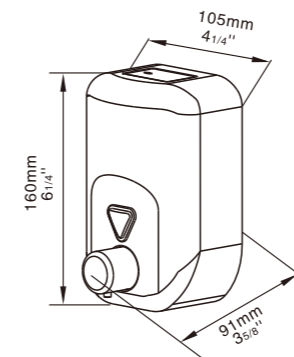
## TOUCH SOAP DISPENSER ZYQ82

### Characteristics:

- \*Quality stainless steel construction
- \*Wall fixing bracket
- \*Discreet liquid viewing window
- \*Manual push button operation
- \*Non-drip pump mechanism
- \*Easy to refill
- \*Valuable locking system to deter theft and maintain content integrity

### Specifications:

|                  |                     |                     |
|------------------|---------------------|---------------------|
| Capacity:        | 820mL               | 820mL               |
| Dose:            | 1mL                 | 1mL                 |
| Packing Size:    | 515x357x365mm       | 20 1/4"x14"x14 3/8" |
| Unit weight:     | 0.4kg<br>0.9lb      | 32.8lb              |
| CTN QTY.:(30pcs) | 14.9kg              |                     |
| CTNS of 20'FT:   | 11880pcs (396 CTNS) |                     |



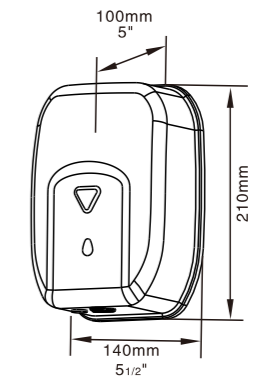
## AUTO SOAP DISPENSER ZYQ120

### Characteristics:

- \*Quality stainless steel construction
- \*Wall fixing bracket
- \*Discreet liquid viewing window
- \*Touch free, sensor technology
- \*Non-drip pump mechanism
- \*Easy to refill
- \*Batteries powered, low battery indicator
- \*Valuable locking system to deter theft and maintain content integrity

### Specifications:

|                  |                    |                         |
|------------------|--------------------|-------------------------|
| Voltage:         | DC4x1.5V(LR6)      | DC4x1.5V(LR6)           |
| Capacity:        | 1200mL             | 1200mL                  |
| Dose:            | 1mL                | 1mL                     |
| Packing Size:    | 450x310x452mm      | 17 5/8"x12 1/4"x17 7/8" |
| Unit weight:     | 1kg<br>2.2lb       | 38.5lb                  |
| CTN QTY.:(16pcs) | 17.5kg             |                         |
| CTNS of 20'FT:   | 7600pcs (475 CTNS) |                         |



# AUTO SOAP DISPENSER



## AUTO SOAP DISPENSER

**ZYQ120-Z** (Drop type)

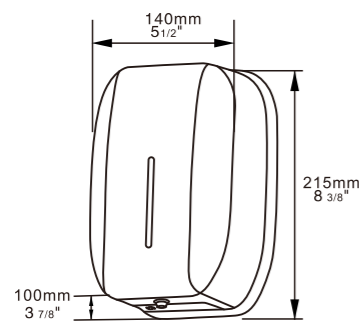
**PMQ120-P** (Foam type)

### Characteristics:

- \*Imported stainless steel shell, strong and durable.
- \*Sensing once, release liquid once, a variety of liquid volume free to choose.
- \*With locking design of the upper and lower doors, to prevent stealing.

### Specifications:

|                  |                   |                      |
|------------------|-------------------|----------------------|
| Voltage:         | DC4x1.5V(LR6)     | DC4x1.5V(LR6)        |
| Capacity:        | 1200mL            | 1200mL               |
| Dose:            | 0.5-2.5mL         | 0.5-2.5mL            |
| Packing Size:    | 450x310x452mm     | 175/8"x121/4"x177/8" |
| Unit weight:     | 0.9kg             | 2lb                  |
| CTN QTY.:(16pcs) | 16.7kg            | 36.8lb               |
| CTNS of 20'FT:   | 7600pcs(475 CTNS) |                      |



## AUTO SOAP DISPENSER

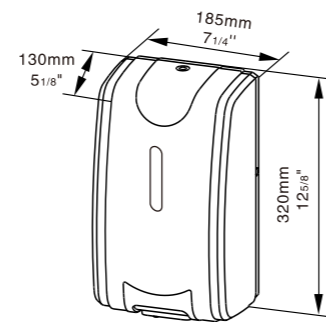
**ZYQ210**

### Characteristics:

- \*Touch free, sensor technology
- \*Sizeable 2Ltr cartridge

### Specifications:

|                           |                     |                      |
|---------------------------|---------------------|----------------------|
| Motion voltage(Optional): | AC100-240V~/50/60Hz |                      |
| Voltage(Default):         | DC4x1.5V(LR6)       | DC4x1.5V(LR6)        |
|                           | 4x1.5V(LR6)         | 4x1.5V(LR6)          |
| Capacity:                 | 2000mL              | 2000mL               |
| Dose:                     | 1mL                 | 1mL                  |
| Packing Size:             | 425x400x347mm       | 163/4"x153/4"x133/4" |
| Unit weight:              | 1.4kg               | 3.11b                |
| CTN QTY.:(6pcs)           | 10.5kg              | 23.11b               |
| CTNS of 20'FT:            | 2520pcs (420 CTNS)  |                      |



# AUTO SOAP DISPENSER

## AUTO SOAP DISPENSER

**ZYQ50A** (Drop type)

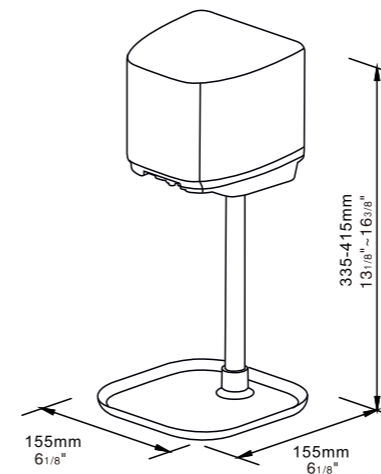
**PMQ50A** (Foam type)

### Characteristics:

- \* Intelligent digital circuit control, infrared induction, strong anti-interference ability
- \* Unique liquid and power consumption warning function
- \* Powered by 4 x 1.5VLR6 batteries, low energy consumption, ensure long-term using
- \* Spray angle can range from -20 to 45 degrees, 5 level regulation, 1.5ml, 2ml, 28mL continuous liquid output.
- \* Unique design, fine atomization. Suitable for all kinds of disinfectant and liquid medicine
- \* With mobile metal support, no need to wall installation, suitable for various occasions

### Specifications:

|                  |                  |                         |
|------------------|------------------|-------------------------|
| Voltage:         | DC4x1.5V(LR6)    | DC4x1.5V(LR6)           |
| Capacity:        | 500mL            | 500mL                   |
| Dose:            | 1-2mL/0.5-1.5    | 1-2mL/0.5-1.5           |
| Packing Size:    | 515x515x465mm    | 20 1/4"x20 1/4"x18 3/8" |
| Unit weight:     | 0.7kg            | 1.5lb                   |
| CTN QTY.:(18pcs) | 19.8kg           | 43.6lb                  |
| CTNS of 20'FT:   | 3960pcs(220CTNS) |                         |



# AUTO SOAP DISPENSER



## AUTO SOAP DISPENSER

**ZYQ50B**(Drop type)

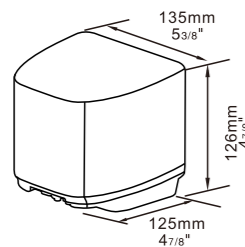
**PMQ50B**(Foam type)

### Characteristics:

- \* Intelligent digital circuit control, infrared induction, strong anti-interference ability
- \* Unique liquid and power consumption warning function
- \* Powered by 4 x 1.5VLR6 batteries, low energy consumption, ensuring long-term use
- \* Spray angle can range from -20 to 45 degrees, 5 level regulation, 1.5ml, 2ml, 28mL continuous liquid output.
- \* Unique design, fine atomization. Suitable for all kinds of disinfectant and liquid medicine

### Specifications:

|                  |                  |                         |
|------------------|------------------|-------------------------|
| Voltage:         | DC4x1.5V(LR6)    | DC4x1.5V(LR6)           |
| Capacity:        | 500mL            | 500mL                   |
| Dose:            | 1-2mL/0.5-1.5    | 1-2mL/0.5-1.5           |
| Packing Size:    | 440x435x430mm    | 17 1/4"x17 1/8"x16 7/8" |
| Unit weight:     | 0.57kg           | 1.2lb                   |
| CTN QTY.:(27pcs) | 18.8kg           | 41lb                    |
| CTNS of 20'FT:   | 7020pcs(390CTNS) |                         |



## AUTO SOAP DISPENSER

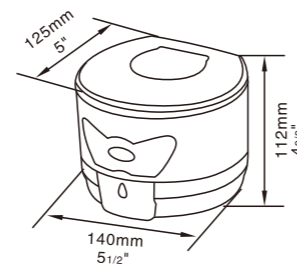
**ZYQ50**

### Characteristics:

- \* Touch free, sensor technology
- \* Non-drip pump mechanism
- \* Easy to refill
- \* Batteries powered, low battery indicator
- \* Valuable locking system to deter theft and maintain content integrity

### Specifications:

|                  |                     |                     |
|------------------|---------------------|---------------------|
| Voltage:         | DC4x1.5V(LR6)       | DC4x1.5V(LR6)       |
| Capacity:        | 500mL               | 500mL               |
| Dose:            | 1mL                 | 1mL                 |
| Packing Size:    | 450x410x380mm       | 17 3/4"x16 1/8"x15" |
| Unit weight:     | 0.45kg              | 1lb                 |
| CTN QTY.:(27pcs) | 14.7kg              | 32.4lb              |
| CTNS of 20'FT:   | 11340pcs (420 CTNS) |                     |



## AUTO SOAP DISPENSER

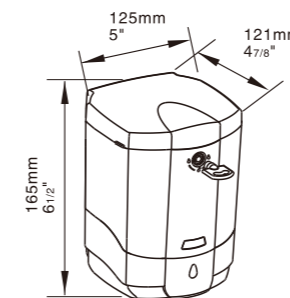
**ZYQ80**

### Characteristics:

- \* Touch free, sensor technology
- \* Non-drip pump mechanism
- \* Easy to refill
- \* Batteries powered, low battery indicator
- \* Valuable locking system to deter theft and maintain content integrity

### Specifications:

|                  |                    |                         |
|------------------|--------------------|-------------------------|
| Voltage:         | DC4x1.5V(LR6)      | DC4x1.5V(LR6)           |
| Capacity:        | 800mL              | 800mL                   |
| Dose:            | 1mL                | 1mL                     |
| Packing Size:    | 540x272x367mm      | 21 1/8"x10 3/4"x14 3/8" |
| Unit weight:     | 0.6kg              | 1.3lb                   |
| CTN QTY.:(16pcs) | 11kg               | 24lb                    |
| CTNS of 20'FT:   | 8064pcs (504 CTNS) |                         |



# AUTO SOAP DISPENSER



## AUTO SOAP DISPENSER

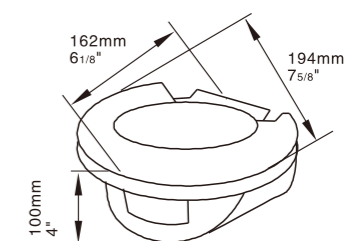
**ZYQ-883**

### Characteristics:

- \* Touch free, sensor technology
- \* Non-drip pump mechanism
- \* Easy to refill
- \* Batteries powered, low battery indicator
- \* Valuable locking system to deter theft and maintain content integrity

### Specifications:

|                  |                    |                     |
|------------------|--------------------|---------------------|
| Voltage:         | DC4x1.5V(LR6)      | DC4x1.5V(LR6)       |
| Capacity:        | 450mL              | 450mL               |
| Dose:            | 1mL                | 1mL                 |
| Packing Size:    | 610x350x340mm      | 24"x13 7/8"x13 3/8" |
| Unit weight:     | 0.5kg              | 1.1lb               |
| CTN QTY.:(18pcs) | 11kg               | 24lb                |
| CTNS of 20'FT:   | 6804pcs (378 CTNS) |                     |



# AUTO SOAP DISPENSER



## AUTO SOAP DISPENSER

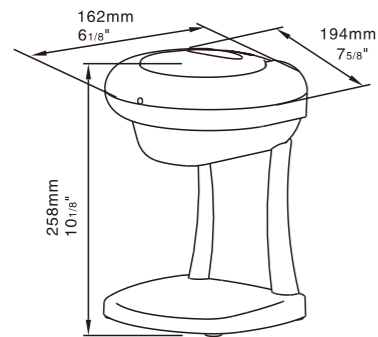
**ZYQ883A**

### Characteristics:

- \*Touch free, sensor technology
- \*Non-drip pump mechanism
- \*Easy to refill
- \*Batteries powered, low battery indicator
- \*Valuable locking system to deter theft and maintain content integrity

### Specifications:

|                  |                    |                         |
|------------------|--------------------|-------------------------|
| Voltage:         | DC4x1.5V(LR6)      | DC4x1.5V(LR6)           |
| Capacity:        | 450mL              | 450mL                   |
| Dose:            | 1mL                | 1mL                     |
| Packing Size:    | 500x360x433mm      | 19 5/8" x 14 1/8" x 17" |
| Unit weight:     | 0.8kg              | 1.8lb                   |
| CTN QTY.:(12pcs) | 10.4kg             | 22.9lb                  |
| CTNS of 20'FT:   | 3960pcs (330 CTNS) |                         |



## AUTO SOAP DISPENSER

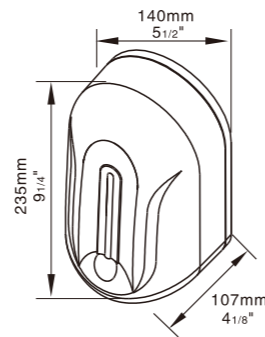
**ZYQ-110**

### Characteristics:

- \*Touch free, sensor technology
- \*Stylish liquid viewing window
- \*Non-drip pump mechanism
- \*Easy to refill
- \*3 seconds interval for two doses, max 10 doses for single operation
- \*Valuable locking system to deter theft and maintain content integrity

### Specifications:

|                           |                     |                 |
|---------------------------|---------------------|-----------------|
| Motion voltage(Optional): | AC100-240V~/50/60Hz |                 |
| Voltage(Default):         | DC4x1.5V(LR6)       | DC4x1.5V(LR6)   |
| Dose:                     | 1mL                 | 1mL             |
| Packing Size:             | 510x305x380mm       | 20" x 12" x 15" |
| Unit weight:              | 0.7kg               | 1.5lb           |
| CTN QTY.:(12pcs)          | 10.7kg              | 23.6lb          |
| CTNS of 20'FT:            | 5544pcs (462 CTNS)  |                 |



## AUTO SOAP DISPENSER

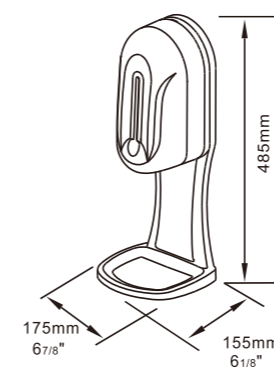
**ZYQ110B**

### Characteristics:

- \*Be controlled by digital circuit with infrared sensor and battery supplied. it has good anti-interference ability.
- \*With infrared sensor, it dispenses liquid disinfectant automatically that can avoid hand touch and prevent cross-infection.
- \*Low energy consumption, long term use.
- \*Intelligent control induction device, automatically shut down after 30 seconds of continuous work, to prevent continuous work due to false induction.
- \*Automatic continuous spray function, when continuous induction, the dispenser will spray once every 3 seconds, continuous spraying will stop automatically after 10 times spraying, and will continue working after re-sensing
- \*It can put on the table or hanging on the wall

### Specifications:

|                           |                     |                         |
|---------------------------|---------------------|-------------------------|
| Motion voltage(Optional): | AC100-240V~/50/60Hz |                         |
| Voltage(Default):         | DC4x1.5V(LR6)       | DC4x1.5V(LR6)           |
| Capacity:                 | 1100mL              | 1100mL                  |
| Dose:                     | 1mL                 | 1mL                     |
| Packing Size:             | 450x450x430mm       | 17 3/4" x 17 3/4" x 17" |
| Unit weight:              | 1kg                 | 2.2 lb                  |
| CTN QTY.:(9pcs)           | 11.7kg              | 25.7 lb                 |
| CTNS of 20'FT:            | 2925pcs (325CTNS)   |                         |



# AUTO SOAP DISPENSER



## AUTO SOAP DISPENSER

**ZYQ110-2-Z (Drop type)**

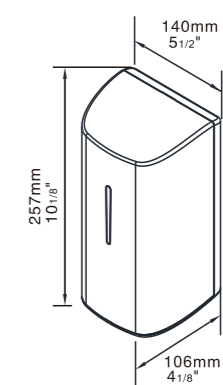
**ZYQ110-2-P (Foam type)**

### Characteristics:

- \*Intelligent program control, infrared sensor automatic liquid discharge, to avoid contact with hands and prevent cross-infection.
- \*Large liquid loading capacity, maximum capacity up to 1100ml, constant liquid output, with 3 levels liquid volume adjustment improves the washing efficiency.

### Specifications:

|                           |                     |                         |
|---------------------------|---------------------|-------------------------|
| Motion voltage(Optional): | AC100-240V~/50/60Hz |                         |
| Voltage(Default):         | DC4x1.5V(LR6)       | DC4x1.5V(LR6)           |
| Capacity:                 | 1100mL              | 1100mL                  |
| Dose:                     | 1mL                 | 1mL                     |
| Packing Size:             | 545x305x370mm       | 21 1/2" x 12" x 14 1/2" |
| Unit weight:              | 0.75kg              | 1.7lb                   |
| CTN QTY.:(12pcs)          | 11.5kg              | 25.3lb                  |
| CTNS of 20'FT:            | 5760pcs (480 CTNS)  |                         |



# AUTO SOAP DISPENSER



## AUTO SOAP DISPENSER

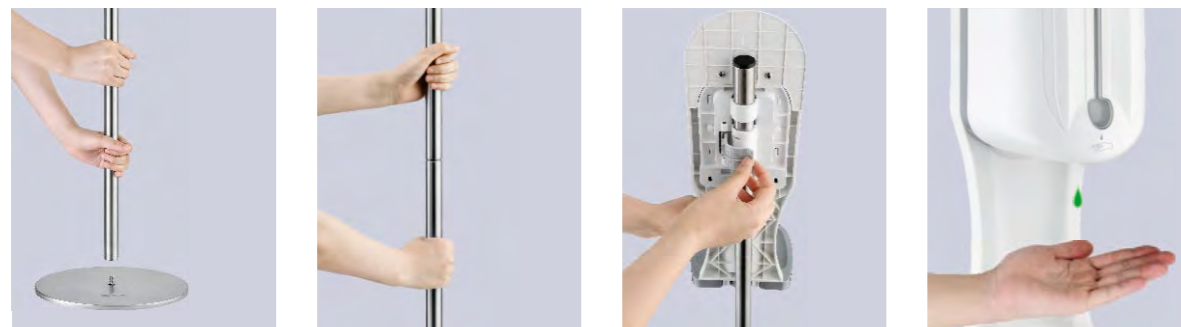
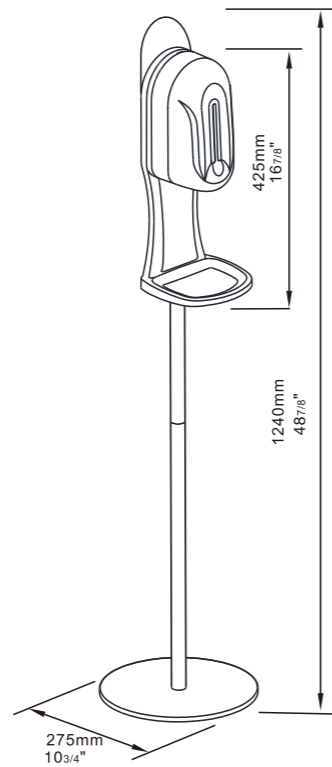
### ZYQ110A

#### Characteristics:

- \*Touch free, sensor technology
- \*Stylish sanitizer viewing window
- \*Non-drip pump mechanism
- \*Easy to refill
- \*3 seconds interval for two doses, max 10 doses for single operation
- \*Valuable locking system to deter theft and maintain content integrity
- \*With movable metal holder which no need the wall-installation, it's suitable for public areas

#### Specifications:

|                           |                     |  |
|---------------------------|---------------------|--|
| Motion voltage(Optional): | AC100-240V~/50/60Hz |  |
| Voltage(Default):         | DC4x1.5V(LR6)       | DC4x1.5V(LR6)  |
| Capacity:                 | 1100mL              | 1100mL   |
| Dose:                     | 1mL                 | 1mL  |
| Packing Size:             | 612x315x138mm       | 24"x12 <sup>3</sup> / <sub>8</sub> "x5 <sup>3</sup> / <sub>8</sub> " |
| Unit weight:              | 2.9kg               | 6.4lb  |
| CTN QTY.:(1pc)            | 3.6kg               | 7.9lb  |
| CTNS of 20'FT:            | 1122pcs (1122CTNS)  |  |



# AUTO SOAP DISPENSER

## AUTO SOAP DISPENSER

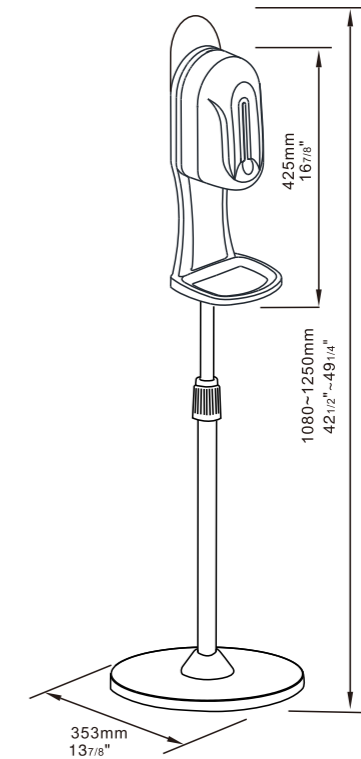
### ZYQ110A1

#### Characteristics:

- \*Touch free, sensor technology
- \*Stylish sanitizer viewing window
- \*Non-drip pump mechanism
- \*Easy to refill
- \*3 seconds interval for two doses, max 10 doses for single operation
- \*Valuable locking system to deter theft and maintain content integrity
- \*With movable metal holder which no need the wall-installation, it's suitable for public areas

#### Specifications:

|                           |                     |  |
|---------------------------|---------------------|--|
| Motion voltage(Optional): | AC100-240V~/50/60Hz |  |
| Voltage(Default):         | DC4x1.5V(LR6)       | DC4x1.5V(LR6)  |
| Capacity:                 | 1100mL              | 1100mL   |
| Dose:                     | 1mL                 | 1mL  |
| Packing Size:             | 668x383x140mm       | 26 <sup>1</sup> / <sub>4</sub> "x15"x5 <sup>1</sup> / <sub>2</sub> " |
| Unit weight:              | 3.8kg               | 8.4lb  |
| CTN QTY.:(1pc)            | 4.7kg               | 10.4lb   |
| CTNS of 20'FT:            | 867pcs (867CTNS)    |  |



# AUTO SOAP DISPENSER



## TOUCH SOAP DISPENSER

**ZYQ100** (Drop type)

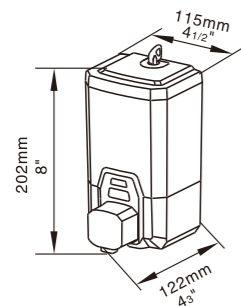
**ZYQ100P** (Foam type)

### Characteristics:

- \*Chemical resistant, transparent AS plastic cartridge
- \*White & silver (powder coating) are available
- \*Convenience pushing button, pump pre-measures correct amount each time
- \*Wall mounted
- \*Lockable and theft deterred
- \*ZYQ100P touch for foam soap

### Specifications:

|                  |                          |                          |
|------------------|--------------------------|--------------------------|
| Capacity:        | 1000mL                   | 1000mL                   |
| Dose:            | 1mL                      | 1mL                      |
| Packing Size:    | 7 1/2" x 5 1/2" x 7 1/2" | 5 1/2" x 3 3/8" x 4 1/2" |
| Unit weight:     | 0.4kg                    | 0.9lb                    |
| CTN QTY.:(24pcs) | 12.4kg                   | 27.3lb                   |
| CTNS of 20'FT:   | 7920pcs (330 CTNS)       |                          |



## TOUCH SOAP DISPENSER

**ZYQ39** (Drop type)

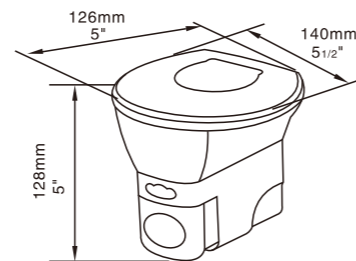
**ZYQ39P** (Foam type)

### Characteristics:

- \*Chemical resistant transparent PC plastic cartridge
- \*White & silver (powder coating) are available
- \*Convenience pushing button, pump pre-measures correct amount each time
- \*Wall mounted
- \*Lockable and theft deterred
- \*ZYQ39P touch for foam soap

### Specifications:

|                  |                            |                                |
|------------------|----------------------------|--------------------------------|
| Capacity:        | 390mL                      | 390mL                          |
| Dose:            | 1mL                        | 1mL                            |
| Packing Size:    | 4 1/5" x 3 1/10" x 4 2/10" | 1 6 1/4" x 1 2 1/8" x 1 6 1/2" |
| Unit weight:     | 0.3kg                      | 0.7lb                          |
| CTN QTY.:(18pcs) | 7.5kg                      | 16.5lb                         |
| CTNS of 20'FT:   | 8820pcs (490 CTNS)         |                                |



## TOUCH SOAP DISPENSER

**ZYQ130** (Drop type)

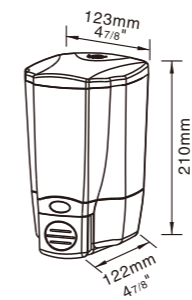
**ZYQ130P** (Foam type)

### Characteristics:

- \*Chemical resistant transparent AS plastic cartridge
- \*White & silver (powder coating) are available
- \*Push button convenience, pump pre-measures correct amount each time
- \*Wall mounted
- \*Lockable and theft deterred
- \*ZYQ130P touch for foam soap

### Specifications:

|                  |                             |                            |
|------------------|-----------------------------|----------------------------|
| Capacity:        | 1300mL                      | 1300mL                     |
| Dose:            | 1mL                         | 1mL                        |
| Packing Size:    | 4 5/10" x 4 5/10" x 4 1/10" | 1 7 3/4" x 1 6" x 1 6 1/8" |
| Unit weight:     | 0.4kg                       | 0.9lb                      |
| CTN QTY.:(18pcs) | 10.5kg                      | 23lb                       |
| CTNS of 20'FT:   | 6300pcs (350 CTNS)          |                            |



# AUTO SOAP DISPENSER



## TOUCH SOAP DISPENSER

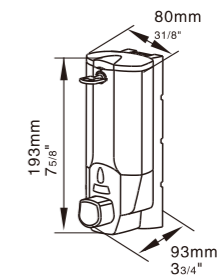
**ZYQ-138**

### Characteristics:

- \*ABS plastic construction available in white & silver (powder coating)
- \*Convenience pushing button, pump pre-measures correct amount each time
- \*Wall mounted, easy assemble to a multiple unit
- \*Lockable and theft deterred

### Specifications:

|                  |                             |                                |
|------------------|-----------------------------|--------------------------------|
| Capacity:        | 380mL                       | 380mL                          |
| Dose:            | 1mL                         | 1mL                            |
| Packing Size:    | 5 2/10" x 2 8/10" x 4 2/10" | 2 0 1/2" x 1 1 1/8" x 1 6 5/8" |
| Unit weight:     | 0.2kg                       | 0.4lb                          |
| CTN QTY.:(30pcs) | 9.5kg                       | 21lb                           |
| CTNS of 20'FT:   | 13200pcs (440 CTNS)         |                                |



# AUTO SOAP DISPENSER

## TOUCH SOAP DISPENSER

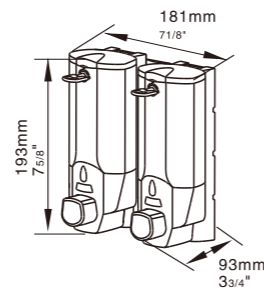
**ZYQ-138S**

### Characteristics:

- \*ABS plastic construction available in white & silver (powder coating)
- \*Convenience pushing button, pump pre-measures correct amount each time
- \*Wall mounted, easy assemble to a multiple unit
- \*Lockable and theft deterred

### Specifications:

|                  |                    |                         |
|------------------|--------------------|-------------------------|
| Capacity:        | 380mLx2            | 380mLx2                 |
| Dose:            | 1mL                | 1mL                     |
| Packing Size:    | 420x352x420mm      | 16 1/2"x13 7/8"x16 1/2" |
| Unit Weight:     | 0.5kg              | 1.1lb                   |
| CTN QTY.:(16pcs) | 10.3kg             | 22.7lb                  |
| CTNS of 20'FT:   | 6720pcs (420 CTNS) |                         |



# AUTO SOAP DISPENSER



## TOUCH SOAP DISPENSER

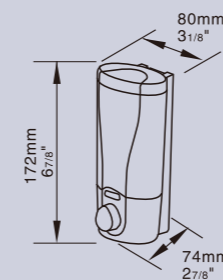
**ZYQ25**

### Characteristics:

- \*ABS plastic construction available in white & silver (powder coating)
- \*Convenience pushing button, pump pre-measures correct amount each time
- \*Wall mounted, easy to assemble a multiple unit
- \*Lockable and theft deterred

### Specifications:

|                  |                    |                 |
|------------------|--------------------|-----------------|
| Capacity:        | 250mL              | 250mL           |
| Dose:            | 1mL                | 1mL             |
| Packing Size:    | 440x255x380mm      | 17 1/4"x10"x15" |
| Unit weight:     | 0.17kg             | 0.4lb           |
| CTN QTY.:(30pcs) | 7.5kg              | 16.5lb          |
| CTNS of 20'FT:   | 21060pcs (702CTNS) |                 |



## TOUCH SOAP DISPENSER

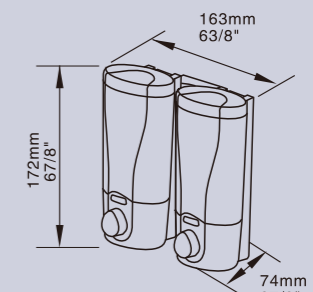
**ZYQ25S**

### Characteristics:

- \*ABS plastic construction available in white & silver (powder coating)
- \*Convenience pushing button, pump pre-measures correct amount each time
- \*Wall mounted, easy to assemble a multiple unit
- \*Lockable and theft deterred

### Specifications:

|                  |                    |                     |
|------------------|--------------------|---------------------|
| Capacity:        | 250mLx2            | 250mLx2             |
| Dose:            | 1mL                | 1mL                 |
| Packing Size:    | 415x350x380mm      | 16 1/4"x13 7/8"x15" |
| Unit weight:     | 0.35kg             | 0.8lb               |
| CTN QTY.:(20pcs) | 9.5kg              | 21lb                |
| CTNS of 20'FT:   | 10080pcs (504CTNS) |                     |



# AUTO SOAP DISPENSER



## TOUCH SOAP DISPENSER

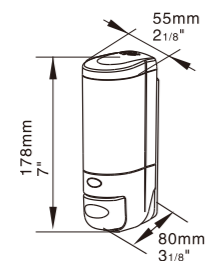
**ZYQ28**

### Characteristics:

- \*ABS plastic construction available in white & silver (powder coating)
- \*Convenience pushing button, pump pre-measures correct amount each time
- \*Wall mounted, easy to assemble a multiple unit
- \*Lockable and theft deterred

### Specifications:

|                  |                     |   |
|------------------|---------------------|---|
| Capacity:        | 280mL               | 280mL   |
| Dose:            | 1mL                 | 1mL   |
| Packing Size:    | 530x260x387mm       | 207 <sup>7</sup> / <sub>8</sub> "x101 <sup>1</sup> / <sub>4</sub> "x151 <sup>1</sup> / <sub>4</sub> " |
| Unit weight:     | 0.2kg               | 0.4lb   |
| CTN QTY.:(48pcs) | 12kg                | 26.5lb  |
| CTNS of 20'FT:   | 28512pcs (594 CTNS) |   |



## TOUCH SOAP DISPENSER

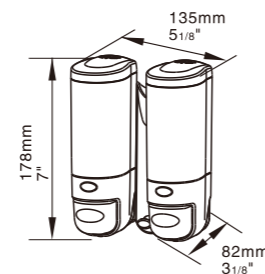
**ZYQ28S**

### Characteristics:

- \*ABS plastic construction available in white & silver (powder coating)
- \*Convenience pushing button, pump pre-measures correct amount each time
- \*Wall mounted, easy to assemble a multiple unit
- \*Lockable and theft deterred

### Specifications:

|                  |                    |   |
|------------------|--------------------|---|
| Capacity:        | 280mLx2            | 280mLx2   |
| Dose:            | 1mL                | 1mL   |
| Packing Size:    | 495x295x387mm      | 191 <sup>1</sup> / <sub>2</sub> "x115 <sup>3</sup> / <sub>8</sub> "x151 <sup>1</sup> / <sub>4</sub> " |
| Unit weight:     | 0.4kg              | 0.9lb   |
| CTN QTY.:(24pcs) | 12.5kg             | 27.5lb  |
| CTNS of 20'FT:   | 11808pcs (492CTNS) |   |



## TOUCH SOAP DISPENSER

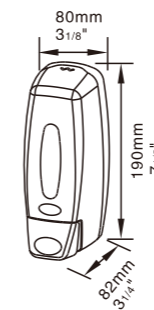
**ZYQ36**

### Characteristics:

- \*White ABS plastic construction
- \*Convenience pushing button, pump pre-measures correct amount each time
- \*Wall mounted, lockable and theft deterred
- \*Novel design, suitable for decoration

### Specifications:

|                  |                     |  |
|------------------|---------------------|--|
| Capacity:        | 360mL               | 360mL  |
| Dose:            | 1mL                 | 1mL  |
| Packing Size:    | 535x367x420mm       | 21"x14 <sup>3</sup> / <sub>8</sub> "x161 <sup>1</sup> / <sub>2</sub> " |
| Unit weight:     | 0.25kg              | 0.6lb  |
| CTN QTY.:(48pcs) | 14.6kg              | 32.2lb   |
| CTNS of 20'FT:   | 15840pcs (330 CTNS) |  |



# AUTO SOAP DISPENSER



## TOUCH SOAP DISPENSER

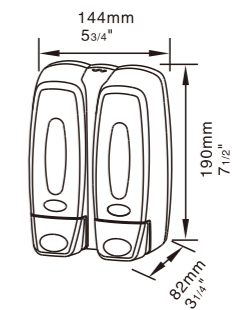
**ZYQ36S**

### Characteristics:

- \*White ABS plastic construction
- \*Convenience pushing button, pump pre-measures correct amount each time
- \*Wall mounted, lockable and theft deterred
- \*Novel design, suitable for decoration

### Specifications:

|                  |                    |   |
|------------------|--------------------|---|
| Capacity:        | 360mLx2            | 360mLx2   |
| Dose:            | 1mL                | 1mL   |
| Packing Size:    | 550x315x420mm      | 21 <sup>5</sup> / <sub>8</sub> "x12 <sup>3</sup> / <sub>8</sub> "x161 <sup>1</sup> / <sub>2</sub> " |
| Unit weight:     | 0.4kg              | 0.9lb   |
| CTN QTY.:(24pcs) | 12.8kg             | 28.2lb  |
| CTNS of 20'FT:   | 8640pcs (360 CTNS) |   |



# AUTO SOAP DISPENSER



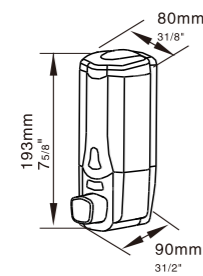
## TOUCH SOAP DISPENSER ZYQ37

### Characteristics:

- \*ABS plastic construction available in white & silver (powder coating)
- \*Convenience pushing button, pump pre-measures correct amount each time
- \*Wall mounted, lockable and theft deterred

### Specifications:

|                  |                     |                         |
|------------------|---------------------|-------------------------|
| Capacity:        | 370mL               | 370mL                   |
| Dose:            | 1mL                 | 1mL                     |
| Packing Size:    | 490x280x425mm       | 19 1/4" x 11" x 16 3/4" |
| Unit weight:     | 0.2kg               | 0.4lb                   |
| CTN QTY.:(30pcs) | 9kg                 | 20lb                    |
| CTNS of 20'FT:   | 14400pcs (480 CTNS) |                         |



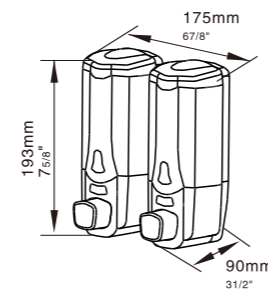
## TOUCH SOAP DISPENSER ZYQ37S

### Characteristics:

- \*ABS plastic construction available in white & silver (powder coating)
- \*Convenience pushing button, pump pre-measures correct amount each time
- \*Wall mounted, lockable and theft deterred

### Specifications:

|                  |                    |                         |
|------------------|--------------------|-------------------------|
| Capacity:        | 370mLx2            | 370mLx2                 |
| Dose:            | 1mL                | 1mL                     |
| Packing Size:    | 415x330x425mm      | 16 1/4" x 13" x 16 3/4" |
| Unit weight:     | 0.5kg              | 1.1lb                   |
| CTN QTY.:(16pcs) | 9.5kg              | 21lb                    |
| CTNS of 20'FT:   | 7840pcs (490 CTNS) |                         |



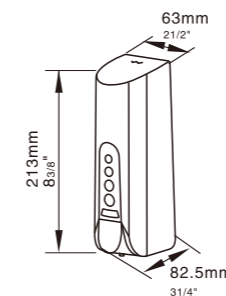
## TOUCH SOAP DISPENSER ZYQ40

### Characteristics:

- \*White ABS plastic construction
- \*Convenience pushing button, pump pre-measures correct amount each time
- \*Wall mounted, lockable and theft deterred
- \*Novel design, suitable for decoration

### Specifications:

|                  |                     |                         |
|------------------|---------------------|-------------------------|
| Capacity:        | 400mL               | 400mL                   |
| Dose:            | 1mL                 | 1mL                     |
| Packing Size:    | 560x300x466mm       | 22" x 11 7/8" x 18 1/4" |
| Unit weight:     | 0.3kg               | 0.7lb                   |
| CTN QTY.:(48pcs) | 16kg                | 35.2lb                  |
| CTNS of 20'FT:   | 18240pcs (380 CTNS) |                         |



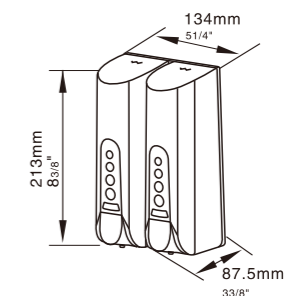
## TOUCH SOAP DISPENSER ZYQ40S

### Characteristics:

- \*White ABS plastic construction
- \*Convenience pushing button, pump pre-measures correct amount each time
- \*Wall mounted, lockable and theft deterred
- \*Novel design, suitable for decoration

### Specifications:

|                  |                    |                             |
|------------------|--------------------|-----------------------------|
| Capacity:        | 400mLx2            | 400mLx2                     |
| Dose:            | 1mL                | 1mL                         |
| Packing Size:    | 490x300x466mm      | 19 1/8" x 11 7/8" x 18 1/4" |
| Unit weight:     | 0.6kg              | 1.3lb                       |
| CTN QTY.:(20pcs) | 14kg               | 30.8lb                      |
| CTNS of 20'FT:   | 8400pcs (420 CTNS) |                             |



# SANITIZER DISPENSER



# SANITIZER DISPENSER



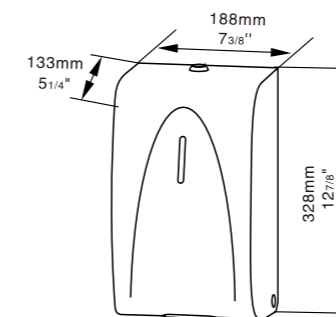
## SANITIZER DISPENSER XDQ210K

### Characteristics:

- \*Touch free, sensor technology
- \*Large volume of sanitizer from single dose, max volume 6ml, min volume 0.5 ml
- \*Sizeable 2 Ltr cartridge
- \*Powered by DC adaptor

### Specifications:

|  |                   |                      |
|--|-------------------|----------------------|
| Motion voltage(Optional):AC100-240V~/50/60Hz |                   |                      |
| Voltage(Default):                            | DC4x1.5V(LR6)     | DC4x1.5V(LR6)        |
| Rated power:                                 | 12VA              | 12VA                 |
| Capacity:                                    | 2000mL            | 2000mL               |
| Dose:  | 0.5~6mL           | 0.5~6mL              |
| Packing Size:                                | 427x410x360mm     | 163/4"x161/8"x141/8" |
| Unit weight:                                 | 2.6kg             | 5.7lb                |
| CTN QTY.:(6pcs)                              | 14.6kg            | 32.1lb               |
| CTNS of 20'FT:                               | 2520pcs (420CTNS) |                      |



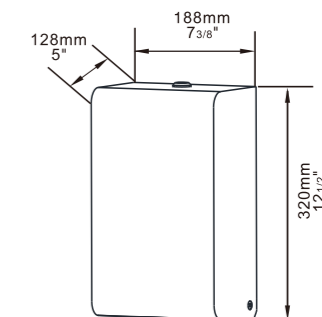
## SANITIZER DISPENSER XDQ210K-R

### Characteristics:

- \*Touch free, sensor technology
- \*Large volume of sanitizer from single dose, max volume 6ml, min volume 0.5 ml
- \*Sizeable 2 Ltr cartridge
- \*Powered by DC adaptor

### Specifications:

|  |                   |                      |
|--|-------------------|----------------------|
| Motion voltage(Optional):AC100-240V~/50/60Hz |                   |                      |
| Voltage(Default):                            | DC4x1.5V(LR6)     | DC4x1.5V(LR6)        |
| Rated power:                                 | 12VA              | 12VA                 |
| Capacity:                                    | 2000mL            | 2000mL               |
| Dose:  | 0.5~6mL           | 0.5~6mL              |
| Packing Size:                                | 427x410x360(mm)   | 163/4"x161/8"x141/8" |
| Unit weight:                                 | 2.6kg             | 5.7lb                |
| CTN QTY.:(6pcs)                              | 17.3kg            | 38.1lb               |
| CTNS of 20'FT:                               | 2880pcs (480CTNS) |                      |



# SANITIZER DISPENSER



## SANITIZER DISPENSER

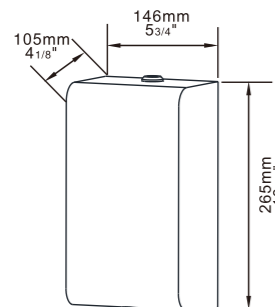
**XDQ110K-R**

### Characteristics:

- \*Touch free, sensor technology
- \*Non-drip pump mechanism
- \*Easy to refill
- \*3 seconds interval for two doses, max 10 doses for single operation
- \*Valuable locking system to deter theft and maintain content integrity

### Specifications:

|                           |                     |                      |
|---------------------------|---------------------|----------------------|
| Motion voltage(Optional): | AC100-240V~/50/60Hz |                      |
| Voltage(Default):         | DC4x1.5V(LR6)       | DC4x1.5V(LR6)        |
| Capacity:                 | 1100mL              | 1100mL               |
| Dose:                     | 1mL                 | 1mL                  |
| Packing Size :            | 570x325x370(mm)     | 223/8"x123/4"x141/2" |
| Unit weight:              | 1.5kg               | 3.3lb                |
| CTN QTY.:(12pcs)          | 20.7kg              | 45.6lb               |
| CTNS of 20'FT:            | 5184pcs (432 CTNS)  |                      |



## SANITIZER DISPENSER

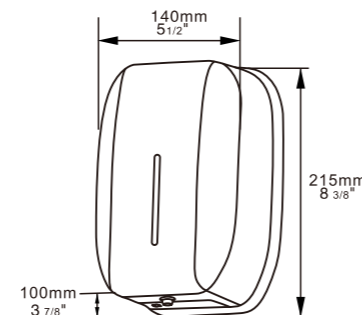
**ZYQ120-X**

### Characteristics:

- \*Imported stainless steel shell, solid and durable.
- \*Sensing once, release liquid once, a variety of liquid volume free to choose.
- \*With locking design of the upper and lower doors, can prevent artificial.

### Specifications:

|                  |                   |                      |
|------------------|-------------------|----------------------|
| Voltage:         | DC4x1.5V(LR6)     | DC4x1.5V(LR6)        |
| Capacity:        | 1200mL            | 1200mL               |
| Dose:            | 0.5-2.5mL         | 0.5-2.5mL            |
| Packing Size :   | 450x310x452mm     | 175/8"x121/4"x177/8" |
| Unit weight:     | 0.9kg             | 2lb                  |
| CTN QTY.:(16pcs) | 16.7kg            | 36.8lb               |
| CTNS of 20'FT:   | 7600pcs(475 CTNS) |                      |



## SANITIZER DISPENSER

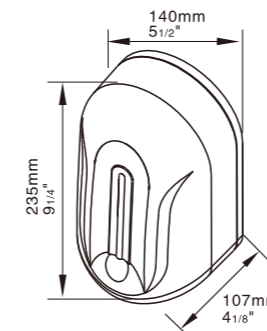
**XDQ110**

### Characteristics:

- \*Touch free, sensor technology
- \*Stylish sanitizer viewing window
- \*Non-drip pump mechanism
- \*Easy to refill
- \*3 seconds interval for two doses, max 10 doses for single operation
- \*Valuable locking system to deter theft and maintain content integrity

### Specifications:

|                           |                     |               |
|---------------------------|---------------------|---------------|
| Motion voltage(Optional): | AC100-240V~/50/60Hz |               |
| Voltage(Default):         | DC4x1.5V(LR6)       | DC4x1.5V(LR6) |
| Capacity:                 | 1100mL              | 1100mL        |
| Dose:                     | 1mL                 | 1mL           |
| Packing Size :            | 510x305x380mm       | 20"x12"x15"   |
| Unit weight:              | 0.7kg               | 1.5lb         |
| CTN QTY.:(12pcs)          | 10.7kg              | 23.6lb        |
| CTNS of 20'FT:            | 5544pcs (462CTNS)   |               |



# SANITIZER DISPENSER



## SANITIZER DISPENSER

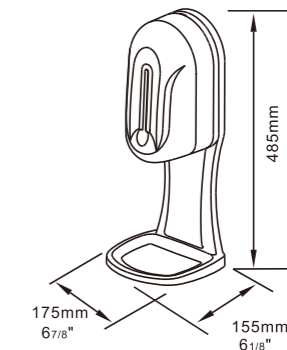
**XDQ110B**

### Characteristics:

- \*It is controlled by digital circuit with infrared sensor and battery supplied. it has good anti-interference ability.
- \*With infrared sensor, it dispenses liquid disinfectant automatically that can avoid hand touch and prevent cross-infection.
- \*Low power consumption, long use-life.
- \*Intelligent control induction device, automatically shut down after 30 seconds of continuous work, to prevent false induction.
- \*Automatic continuous spray function, when continuous induction, the dispenser will spray once every 3 seconds, continuous spraying will stop automatically after 10 times, and will continue working after re-sensing
- \*It can put on the table or hanging on the wall

### Specifications:

|                           |                     |                   |
|---------------------------|---------------------|-------------------|
| Motion voltage(Optional): | AC100-240V~/50/60Hz |                   |
| Voltage(Default):         | DC4x1.5V(LR6)       | DC4x1.5V(LR6)     |
| Capacity:                 | 1100mL              | 1100mL            |
| Dose:                     | 1mL                 | 1mL               |
| Packing Size :            | 450x450x430mm       | 173/4"x173/4"x17" |
| Unit weight:              | 1kg                 | 2.2lb             |
| CTN QTY.:(9pcs)           | 11.7kg              | 25.7lb            |
| CTNS of 20'FT:            | 2925pcs (325CTNS)   |                   |



# SANITIZER DISPENSER



## SANITIZER DISPENSER

### ZYQ110-2-X

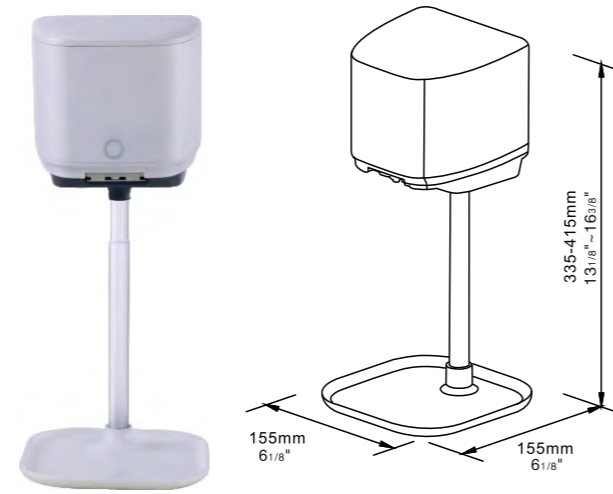
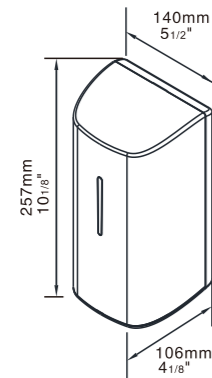
#### Characteristics:

- \*Intelligent program control, infrared sensor automatic liquid discharge, to avoid contact with hands and prevent cross-infection.
- \*Large liquid loading capacity, maximum capacity up to 1100ml, constant liquid output, with 3 levels liquid volume adjustment improves the washing efficiency.

#### Specifications:

Motion voltage(Optional):AC100-240V~/50/60Hz

|                   |                    |                   |
|-------------------|--------------------|-------------------|
| Voltage(Default): | DC4x1.5V(LR6)      | DC4x1.5V(LR6)     |
| Capacity:         | 1100mL             | 1100mL            |
| Dose:             | 1mL                | 1mL               |
| Packing Size:     | 545x305x370mm      | 211/2"x12"x141/2" |
| Unit weight:      | 0.76kg             | 1.7lb             |
| CTN QTY.:(12pcs)  | 11.5kg             | 25.3lb            |
| CTNS of 20'FT:    | 5760pcs (480 CTNS) |                   |



## SANITIZER DISPENSER

### XDQ50A

#### Characteristics:

- \* Intelligent digital circuit control, infrared induction, strong anti-interference ability
- \* Unique liquid and power consumption warning function
- \* Powered by 4 x 1.5VLR6 batteries, low energy consumption, ensuring long-term use
- \* Spray angle can range from -20 to 45 degrees, 5 level regulation, 1.5ml, 2ml, 28ml continuous liquid output.
- \* Unique design, fine atomization. Suitable for all kinds of disinfectant and liquid medicine
- \* With mobile metal support, no need to wall installation, suitable for various occasions
- \* 4 modes: Mode ①: Automatically sprays every 15 minutes;  
Mode ②: Automatically sprays every 45 minutes;  
Mode ③: After touching the infrared sensing area, the liquid will automatically discharge once;  
Mode ④: When someone passes the sensing area, the device will automatically spray disinfectant after the user leaves the sensing area for 6 seconds.

#### Specifications:

|                  |                  |                         |
|------------------|------------------|-------------------------|
| Voltage:         | DC4x1.5V(LR6)    | DC4x1.5V(LR6)           |
| Capacity:        | 500mL            | 500mL                   |
| Dose:            | 1-2mL            | 1-2mL                   |
| Packing Size:    | 515x515x465mm    | 20 1/4"x20 1/4"x18 3/8" |
| Unit weight:     | 0.7kg            | 1.5lb                   |
| CTN QTY.:(18pcs) | 19.8kg           | 43.6lb                  |
| CTNS of 20'FT:   | 3960pcs(220CTNS) |                         |



## SANITIZER DISPENSER

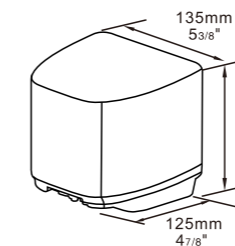
### XDQ50B

#### Characteristics:

- \* Intelligent digital circuit control, infrared induction, strong anti-interference ability
- \* Unique liquid and power consumption warning function
- \* Powered by 4 x 1.5VLR6 batteries, low energy consumption, ensuring long-term use
- \* Spray angle can range from -20 to 45 degrees, 5 level regulation, 1.5ml, 2ml, 28ml continuous liquid output.
- \* Unique design, fine atomization. Suitable for all kinds of disinfectant and liquid medicine
- \* 4 modes: Mode ①: Automatically sprays every 15 minutes;  
Mode ②: Automatically sprays every 45 minutes;  
Mode ③: After touching the infrared sensing area, the liquid will automatically discharge once;  
Mode ④: When someone passes the sensing area, the device will automatically spray disinfectant after the user leaves the sensing area for 6 seconds.

#### Specifications:

|                  |                  |                         |
|------------------|------------------|-------------------------|
| Voltage:         | DC4x1.5V(LR6)    | DC4x1.5V(LR6)           |
| Capacity:        | 500mL            | 500mL                   |
| Dose:            | 1-2mL            | 1-2mL                   |
| Packing Size:    | 440x435x430mm    | 17 1/4"x17 1/8"x16 7/8" |
| Unit weight:     | 0.57kg           | 1.2lb                   |
| CTN QTY.:(27pcs) | 18.8kg           | 41lb                    |
| CTNS of 20'FT:   | 7020pcs(390CTNS) |                         |



# SANITIZER DISPENSER



## SANITIZER DISPENSER

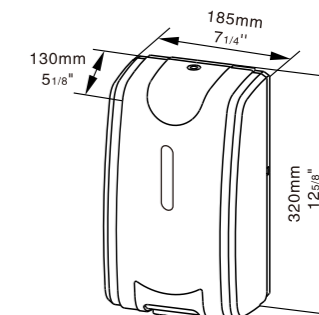
### XDQ210

#### Characteristics:

- \*Touch free, sensor technology
- \*Active nozzle, 4 levels can range from 0° -30°
- \*Large volume of sanitizer from single dose, max volume 6ml, min volume 0.5 ml
- \*Sizeable 2 Ltr cartridge
- \*Powered by DC adaptor

#### Specifications:

|                 |                   |                         |
|-----------------|-------------------|-------------------------|
| Motion voltage: | AC220V~/50Hz      | AC110-120V/60Hz         |
| Voltage:        | DC6V              | DC6V                    |
| Rated power:    | 12VA              | 12VA                    |
| Capacity:       | 2000mL            | 2000mL                  |
| Dose:           | 0.5-6mL           | 0.5-6mL                 |
| Packing Size:   | 425x400x347(mm)   | 16 3/4"x15 3/4"x13 3/4" |
| Unit weight:    | 2kg               | 4.4lb                   |
| CTN QTY.:(6pcs) | 14kg              | 30.8lb                  |
| CTNS of 20'FT:  | 2520pcs (420CTNS) |                         |





**MOVABLE SANITIZER DISPENSER**

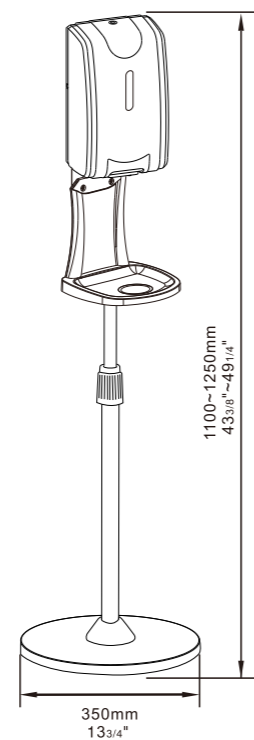
**XDQ210A1**

**Characteristics:**

- \*Touch free, sensor technology
- \*Active nozzle, 4 levels from 0'-30"
- \*Large volume of sanitizer from single dose, max volume 6ml, min volume 0.5 ml
- \*Sizeable 2 Ltr cartridge
- \*Powered by DC adaptor

**Specifications:**

|                |                  |   |
|----------------|------------------|---|
| Voltage:       | DC 6V ( 12VA )   | DC 6V ( 12VA )  |
| Capacity:      | 2000mL           | 2000mL  |
| Dose:          | 0.5~6mL          | 0.5~6mL   |
| Packing Size:  | 590x480x262mm    | 23 <sup>1/4</sup> "x18 <sup>1/8</sup> "x10 <sup>3/8</sup> " |
| Unit weight:   | 5.9kg            | 13lb  |
| CTN QTY.:(1pc) | 7.5kg            | 16.5lb  |
| CTNS of 20'FT: | 405pcs (405CTNS) |   |



# SANITIZER DISPENSER



## SANITIZER DISPENSER

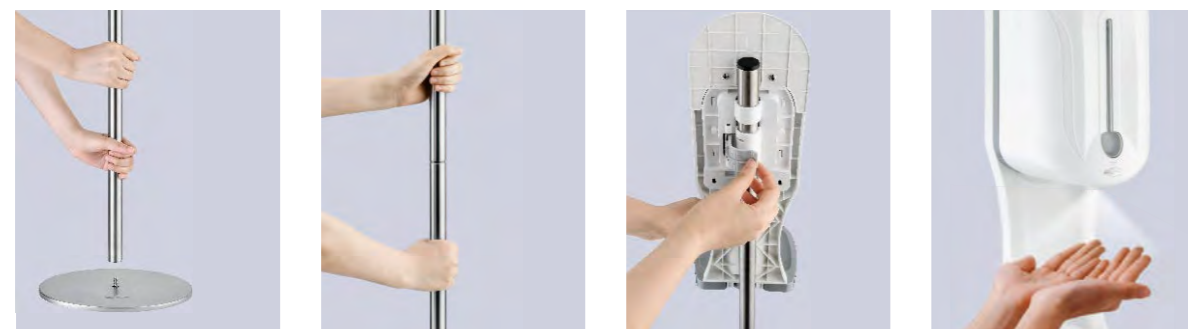
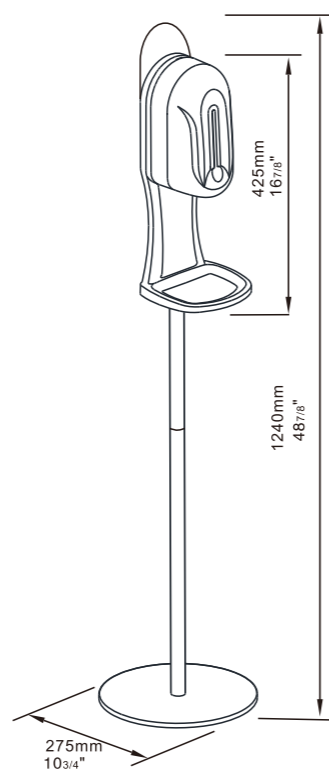
### XDQ110A

#### Characteristics:

- \*Touch free, sensor technology
- \*Stylish sanitizer viewing window
- \*Non-drip pump mechanism
- \*Easy to refill
- \*3 seconds interval for two doses, max 10 doses for single operation
- \*Valuable locking system to deter theft and maintain content integrity
- \*With movable metal holder which no need the wall-installation, suitable for public areas

#### Specifications:

|                           |                     |  |
|---------------------------|---------------------|--|
| Motion voltage(Optional): | AC100-240V~/50/60Hz |  |
| Voltage(Default):         | DC4x1.5V(LR6)       | DC4x1.5V(LR6)  |
| Capacity:                 | 1100mL              | 1100mL   |
| Dose:                     | 1mL                 | 1mL  |
| Packing Size:             | 612x315x138mm       | 24"x12 <sup>3</sup> / <sub>8</sub> "x5 <sup>3</sup> / <sub>8</sub> " |
| Unit weight:              | 2.9kg               | 6.4lb  |
| CTN QTY.:(1pc)            | 3.6kg               | 7.9lb  |
| CTNS of 20'FT:            | 1122pcs (1122CTNS)  |  |



# SANITIZER DISPENSER

## SANITIZER DISPENSER

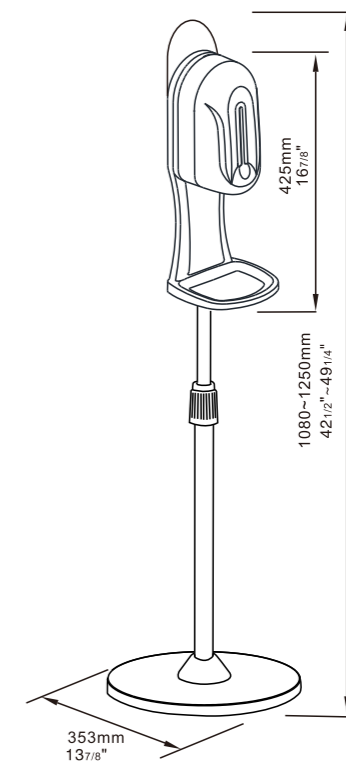
### XDQ110A1

#### Characteristics:

- \*Touch free, sensor technology
- \*Stylish sanitizer viewing window
- \*Non-drip pump mechanism
- \*Easy to refill
- \*3 seconds interval for two doses, max 10 doses for single operation
- \*Valuable locking system to deter theft and maintain content integrity
- \*With movable metal holder which no need the wall-installation, suitable for public areas

#### Specifications:

|                           |                     |                    |
|---------------------------|---------------------|--------------------|
| Motion voltage(Optional): | AC100-240V~/50/60Hz |                    |
| Voltage(Default):         | DC4x1.5V(LR6)       | DC4x1.5V(LR6)      |
| Capacity:                 | 1100mL              | 1100mL             |
| Dose:                     | 1mL                 | 1mL                |
| Packing Size:             | 668x383x140mm       | 26 1/4"x15"x5 1/2" |
| Unit weight:              | 3.8kg               | 8.4lb              |
| CTN QTY.:(1pc)            | 4.7kg               | 10.4lb             |
| CTNS of 20'FT:            | 867pcs (867CTNS)    |                    |



# HAIR DRYER



## HAIR DRYER

**GDC150-15**

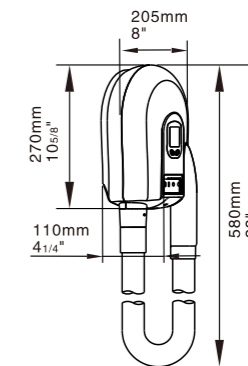
**GDC150-15A**

### Characteristics:

- \*18 minutes automatic safety timer, 17 min. warm air and 1 min. cool air
- \*Automatic switching on when removing the handgrip from its holder
- \*Constant temperature between 40°C–80°C
- \*5 heat settings, 60°C default air temperature
- \*LCD screen with LED background light
- \*Extendable hose (up to 1.80m)
- \*Designed for the hotel bathroom
- \*GDC150-15 includes shaver socket

### Specifications:

|                       |                          |                                     |
|-----------------------|--------------------------|-------------------------------------|
| Voltage:              | 220V-240V~/50Hz          | 110-120V/60Hz                       |
| Rated Power:          | 1500W                    | 1500W                               |
| Current:              | 6.5A                     | 13.6A                               |
| Anti-electric-shock:  | <input type="checkbox"/> | <input checked="" type="checkbox"/> |
| Degree of protection: | IP24                     | IP24                                |
| Air volume:           | 87m <sup>3</sup> /h      | 87m <sup>3</sup> /h                 |
| Air velocity:         | 17m/s                    | 17m/s                               |
| Packing Size:         | 495x445x380mm            | 19 1/2"x17 1/2"x15"                 |
| Unit weight:          | 2.6kg                    | 5.7lb (GDC150-15)                   |
|                       | 2kg                      | 4.4lb (GDC150-15A)                  |
| CTN QTY.:(6pcs)       | 18.8kg                   | 41.4lb(GDC150-15)                   |
|                       | 15.6kg                   | 34.4lb(GDC150-15A)                  |
| CTNS of 20'FT:        | 1980pcs (330 CTNS)       |                                     |



# HAND DRYER



## HAIR DRYER

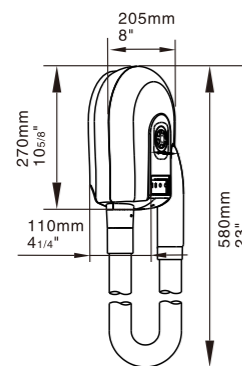
**GDC100-15** **GDC100-15A**

### Characteristics:

- \*15 minutes automatic safety timer
- \*Automatic switching on when removing the handgrip from its holder
- \*Air temperature settings
- \*Extendable hose (up to 1.80m)
- \*Designed for the hotel bathroom
- \*GDC100-15 includes shaver socket

### Specifications:

|                       |                          |                          |
|-----------------------|--------------------------|--------------------------|
| Voltage:              | 220V-240V~/50Hz          | 110-120V/60Hz            |
| Rated Power:          | 1000W                    | 1000W                    |
| Current:              | 4.3A                     | 9.1A                     |
| Anti-electric-shock:  | <input type="checkbox"/> | <input type="checkbox"/> |
| Degree of protection: | IP24                     | IP24                     |
| Air volume:           | 87m <sup>3</sup> /h      | 87m <sup>3</sup> /h      |
| Air velocity:         | 17m/s                    | 17m/s                    |
| Packing Size:         | 495x445x380mm            | 19 1/2" x 17 1/2" x 15"  |
| Unit weight:          | 2.5kg                    | 5.5lb (GDC100-15)        |
|                       | 1.9kg                    | 4.2lb (GDC100-15A)       |
| CTN QTY.:(6pcs)       | 18.5kg                   | 40.8lb (GDC100-15)       |
|                       | 15kg                     | 33lb (GDC100-15A)        |
| CTNS of 20'FT:        | 1980pcs (330 CTNS)       |                          |



# HAND DRYER



## HAIR DRYER

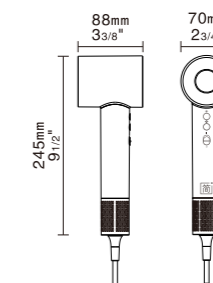
**RCY160-88**

### Characteristics:

- \*110,000 rpm high speed motor makes strong wind power, natural wind mode for fast hair drying.
- \*3 wind temperatures, 3 wind speeds, 9 usage modes for different needs.
- \*Highly concentrated negative ions are generated during the drying process, making the hair surface smoother.
- \*The product comes with fused temperature tester and microprocessor. Effective protection of overheating, over current and voltage safety. Making this product more reassuring.
- \*Defaults to the last using gears (air temperature and air speed)
- \*Long press the wind temperature button to switch to natural wind mode. Press the wind temperature button again to switch into original wind temperature mode.
- \*Turn off the hair dryer, and press the wind speed button for 3 seconds, then turn on the power switch. The hair dryer will enter the cleaning mode. It will stop cleaning after 10 seconds, please turn off the power switch after cleaning.

### Specifications:

|                      |                          |
|----------------------|--------------------------|
| Voltage:             | 220V-240V~/50Hz          |
| Rated Power:         | 1600W                    |
| Current:             | 7.5A                     |
| Anti-electric-shock: | <input type="checkbox"/> |
| Air volume:          | 60m <sup>3</sup> /h      |
| Air velocity:        | 62m/s                    |
| Packing Size:        | 530x335x345mm            |
| Unit weight:         | 8.5kg                    |
| CTN QTY.:(16pcs)     | 15.2kg                   |
| CTNS of 20'FT:       | 7392pcs (462 CTNS)       |





## HAIR DRYER

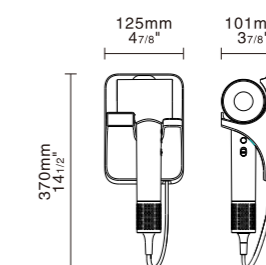
**RCY160-88A1**

### Characteristics:

- \*110,000 rpm high speed motor makes strong wind power, natural wind mode for fast hair drying.
- \*3 wind temperatures, 3 wind speeds, 9 usage modes for different needs.
- \*Highly concentrated negative ions are generated during the drying process, making the hair surface smoother.
- \*The product comes with fused temperature tester and microprocessor. Effective protection of overheating, over current and voltage safety. Making this product more reassuring.
- \*Defaults to the last using gears (air temperature and air speed)
- \*Long press the wind temperature button to switch to natural wind mode. Press the wind temperature button again to switch into original wind temperature mode.
- \*Turn off the hair dryer, and press the wind speed button for 3 seconds, then turn on the power switch. The hair dryer will enter the cleaning mode. It will stop cleaning after 10 seconds, please turn off the power switch after cleaning.
- \*Auto retractable wire reel is an effective solution to solve manage and storage the wire.

### Specifications:

|                      |                          |
|----------------------|--------------------------|
| Voltage:             | 220V~50Hz                |
| Rated Power:         | 1600W                    |
| Current:             | 7.5A                     |
| Anti-electric-shock: | <input type="checkbox"/> |
| Air volume:          | 60m <sup>3</sup> /h      |
| Air velocity:        | 62m/s                    |
| Packing Size:        | 600x275x355mm            |
| Unit weight:         | 10.3kg                   |
| CTN QTY.:(12pcs)     | 12.6kg                   |
| CTNS of 20'FT:       | 5832pcs (486 CTNS)       |





## HAIR DRYER

### RCY180-22series

#### Characteristics:

- \* 1800W high performance, high speed motor. Powerful wind blowing brings a shorter hair drying period to save your precious time.
- \* The only switch button makes the operation easily and conveniently. Three different temperature settings meet different need for hair drying.
- \* The T shape appearance design, induction handle creates an intelligent product with automatic switch for your comfortable using experience.
- \* Ten million level of negative ions can infiltrate into the hair, tame the frizzy hair to makes it bright and smooth.
- \* The isolated outer shell wind nozzle with magnetic suction ring can lower the wind nozzle surface temperature while hair drying process to reduce the risk of getting scald.
- \* Double layer protection for air inlet design can effectively prevent the hair being sucked into the hair dryer.
- \* Innovative U shape heating unit brings uniform warmth and comfortable feeling, which is for taking good care of your hair.
- \* Double anti-overheating protection: temperature controller+ temperature fuse, moreover, the air forced cooling system is used for preventing overheat. Those protections are creating a safty hair drying experience.

#### Specifications:

|                      |                          |
|----------------------|--------------------------|
| Voltage:             | 220V~50Hz                |
| Rated Power:         | 1800W                    |
| Current:             | 7.2A                     |
| Anti-electric-shock: | <input type="checkbox"/> |
| Air volume:          | 66m <sup>3</sup> /h      |
| Air velocity:        | 14m/s                    |
| Packing Size:        | 550x270x430mm            |
| Unit weight:         | 10. 2kg                  |
| CTN QTY.:(18pcs)     | 12.7kg                   |
| CTNS of 20'FT:       | 7560pcs (420 CTNS)       |



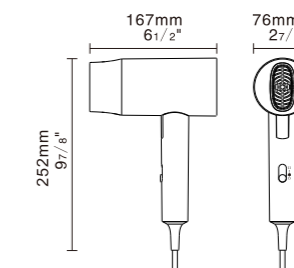
RCY180-22A1



RCY180-22A



RCY180-22B



## HAIR DRYER

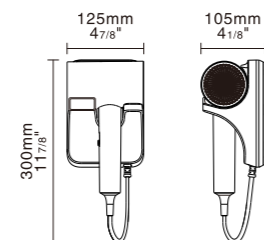
### RCY180-22A2

#### Characteristics:

- \* 1800W high performance, high speed motor. Powerful wind blowing brings a shorter hair drying period to save your precious time.
- \* The only switch button makes the operation easily and conveniently. Three different temperature settings meet different need for hair drying.
- \* The T shape appearance design, induction handle creates an intelligent product with automatic switch for your comfortable using experience.
- \* Ten million level of negative ions can infiltrate into the hair, tame the frizzy hair to makes it bright and smooth.
- \* The isolated outer shell wind nozzle with magnetic suction ring can lower the wind nozzle surface temperature while hair drying process to reduce the risk of getting scald.
- \* Double layer protection for air inlet design can effectively prevent the hair being sucked into the hair dryer.
- \* Innovative U shape heating unit brings uniform warmth and comfortable feeling, which is for taking good care of your hair.
- \* Double anti-overheating protection: temperature controller+ temperature fuse, moreover, the air forced cooling system is used for preventing overheat. Those protections are creating a safty hair drying experience.
- \* Handle sensor switch setting
- \* To solve manage and storage the wire.

#### Specifications:

|                      |                          |
|----------------------|--------------------------|
| Voltage:             | 220V~50Hz                |
| Rated Power:         | 1800W                    |
| Current:             | 8.2A                     |
| Anti-electric-shock: | <input type="checkbox"/> |
| Air volume:          | 66m <sup>3</sup> /h      |
| Air velocity:        | 14m/s                    |
| Packing Size:        | 550x275x370mm            |
| Unit weight:         | 10.3kg                   |
| CTN QTY.:(12pcs)     | 12.5kg                   |
| CTNS of 20'FT:       | 6048pcs (504 CTNS)       |



## HAIR DRYER

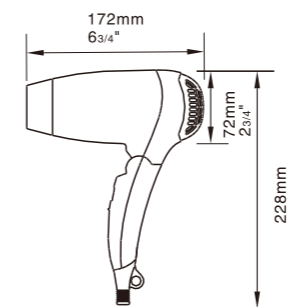
### RCY118-19A

#### Characteristics:

- \* Convenient to carry and store with its folding design.
- \* There are three types of temperatures for you to choose, cool air, warm air & hot air to choose.
- \* There's a micro switch on the handle, you can turn on and off the hair dryer by pressing such micro switch.

#### Specifications:

|                      |                          |                          |
|----------------------|--------------------------|--------------------------|
| Voltage:             | 220V~240V~/50Hz          | 110~120V/60Hz            |
| Rated Power:         | 1200W                    | 1000W                    |
| Current:             | 5.2A                     | 9.1A                     |
| Anti-electric-shock: | <input type="checkbox"/> | <input type="checkbox"/> |
| Air volume:          | 81m <sup>3</sup> /h      | 81m <sup>3</sup> /h      |
| Air velocity:        | 14m/s                    | 14m/s                    |
| Packing Size:        | 505x220x458mm            | 19 3/4" x 8 5/8" x 18"   |
| Unit weight:         | 0.3kg                    | 0.7lb                    |
| CTN QTY.:(18pcs)     | 9.4kg                    | 20.7lb                   |
| CTNS of 20'FT:       | 9900pcs (550 CTNS)       |                          |



## HAIR DRYER

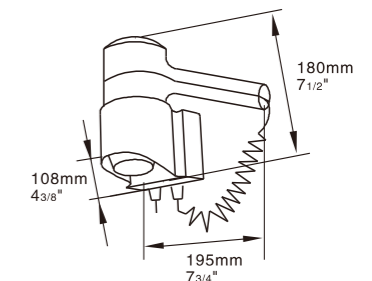
### RCY100-23A

#### Characteristics:

- \* 2 air temperature/air flow settings
- \* On/Off push button
- \* Concentrator nozzle
- \* Wall holder
- \* On/Off safety switch

#### Specifications:

|                      |                          |                          |
|----------------------|--------------------------|--------------------------|
| Voltage:             | 220V/230V~/50Hz          | 110~120V/60Hz            |
| Rated Power:         | 1200W/1350W              | 800/1000W                |
| Current:             | 5.4A/5.8A                | 7.3/8.3A                 |
| Anti-electric-shock: | <input type="checkbox"/> | <input type="checkbox"/> |
| Air volume:          | 73m <sup>3</sup> /h      | 73m <sup>3</sup> /h      |
| Air velocity:        | 13m/s                    | 13m/s                    |
| Packing Size:        | 530x290x475mm            | 21" x 11 3/8" x 18 3/4"  |
| Unit weight:         | 0.6kg                    | 1.3lb                    |
| CTN QTY.:(18pcs)     | 13.6kg                   | 30lb                     |
| CTNS of 20'FT:       | 7920pcs (440 CTNS)       |                          |



# HAND DRYER



## HAIR DRYER

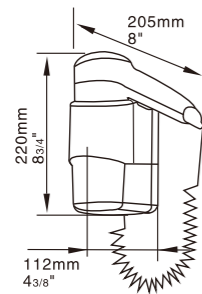
**RCY120-18A**

### Characteristics:

- \*2 air temperature/air flow settings
- \*On/Off push button
- \*Wall holder
- \*On/Off safety switch with pilot lamp

### Specifications:

|                      |                          |   |
|----------------------|--------------------------|---|
| Voltage:             | 220V-240V~/50Hz          | 110-120V/60Hz   |
| Rated Power:         | 1200W                    | 1000W   |
| Current:             | 5.2A                     | 9.1A  |
| Anti-electric-shock: | <input type="checkbox"/> | <input type="checkbox"/>  |
| Air volume:          | 78m <sup>3</sup> /h      | 78m <sup>3</sup> /h   |
| Air velocity:        | 14m/s                    | 14m/s   |
| Packing Size:        | 555x265x422mm            | 22"x10 <sup>3</sup> / <sub>8</sub> "x16 <sup>5</sup> / <sub>8</sub> " |
| Unit weight:         | 1.3kg                    | 2.9lb   |
| CTN QTY.:(12pcs)     | 18.2kg                   | 40.1lb  |
| CTNS of 20'FT:       | 5280pcs (440 CTNS)       |   |



## HAIR DRYER

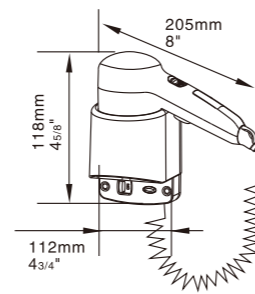
**RCY120-18A1**

### Characteristics:

- \*2 air temperature/air flow settings
- \*On/Off push button
- \*Wall holder
- \*On/Off safety switch with pilot lamp

### Specifications:

|                      |                          |   |
|----------------------|--------------------------|---|
| Voltage:             | 220V-240V~/50Hz          | 110-120V/60Hz   |
| Rated Power:         | 1200W                    | 1000W   |
| Current:             | 5.2A                     | 9.1A  |
| Anti-electric-shock: | <input type="checkbox"/> | <input type="checkbox"/>  |
| Air volume:          | 78m <sup>3</sup> /h      | 78m <sup>3</sup> /h   |
| Air velocity:        | 14m/s                    | 14m/s   |
| Packing Size:        | 555x265x422mm            | 22"x10 <sup>3</sup> / <sub>8</sub> "x16 <sup>5</sup> / <sub>8</sub> " |
| Unit weight:         | 0.7kg                    | 1.5lb   |
| CTN QTY.:(12pcs)     | 10.5kg                   | 23.1lb  |
| CTNS of 20'FT:       | 5280pcs (440 CTNS)       |   |



## HAIR DRYER

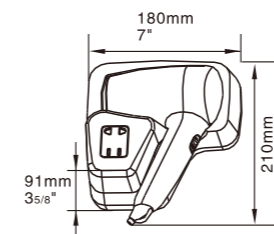
**RCY120-18B RCY120-18B1**

### Characteristics:

- \*2 air temperature/air flow settings
- \*On/Off push button
- \*Wall holder
- \*On/Off safety switch

### Specifications:

|                      |                          |  |
|----------------------|--------------------------|--|
| Voltage:             | 220V-240V~/50Hz          | 110-120V/60Hz  |
| Rated Power:         | 1200W                    | 1000W  |
| Current:             | 5.2A                     | 9.1A   |
| Anti-electric-shock: | <input type="checkbox"/> | <input type="checkbox"/>   |
| Air volume:          | 78m <sup>3</sup> /h      | 78m <sup>3</sup> /h  |
| Air velocity:        | 14m/s                    | 14m/s  |
| Packing Size:        | 582x225x412mm            | 23"x8 <sup>3</sup> / <sub>4</sub> "x16 <sup>1</sup> / <sub>8</sub> " |
| Unit weight:         | 1.4kg (RCY120-18B)       | 3.1lb  |
|                      | 0.8kg (RCY120-18B1)      | 1.8lb  |
| CTN QTY.:(12pcs)     | 18.5kg (RCY120-18B)      | 40.8lb   |
|                      | 12kg (RCY120-18B1)       | 26.4lb   |
| CTNS of 20'FT:       | 6240pcs (520 CTNS)       |  |



## HAIR DRYER

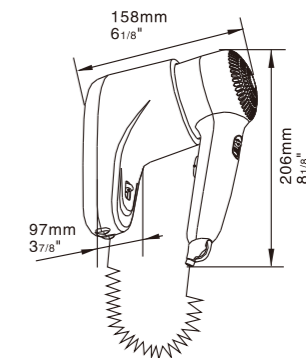
**RCY120-18C**

### Characteristics:

- \*2 air temperature/air flow settings
- \*On/Off push button
- \*Wall holder
- \*On/Off safety switch

### Specifications:

|                      |                          |  |
|----------------------|--------------------------|--|
| Voltage:             | 220V-240V~/50Hz          | 110-120V/60Hz                            |
| Rated Power:         | 1200W                    | 1000W                                    |
| Current:             | 5.2A                     | 9.1A                                     |
| Anti-electric-shock: | <input type="checkbox"/> | <input type="checkbox"/>                 |
| Air volume:          | 78m <sup>3</sup> /h      | 78m <sup>3</sup> /h                      |
| Air velocity:        | 14m/s                    | 14m/s                                    |
| Packing Size:        | 505x302x460mm            | 20"x12"x18 <sup>1</sup> / <sub>8</sub> " |
| Unit weight:         | 0.7kg                    | 1.5lb                                    |
| CTN QTY.:(18pcs)     | 15kg                     | 33.5lb                                   |
| CTNS of 20'FT:       | 6930pcs (385 CTNS)       |  |



# HAND DRYER



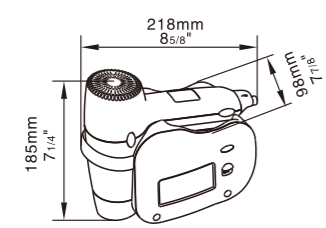
## HAIR DRYER

**RCY120-20A** **RCY120-20A1**

- Characteristics:**
- \*2 air temperature/air flow settings
  - \*On/Off push button
  - \*Wall holder
  - \*On/Off safety switch with pilot lamp

### Specifications:

|                      |                          |  |
|----------------------|--------------------------|--|
| Voltage:             | 220V-240V~/50Hz          | 110-120V/60Hz  |
| Rated Power:         | 1200W                    | 1200W  |
| Current:             | 5.2A                     | 11A  |
| Anti-electric-shock: | <input type="checkbox"/> | <input type="checkbox"/>   |
| Air volume:          | 88m <sup>3</sup> /h      | 88m <sup>3</sup> /h  |
| Air velocity:        | 14m/s                    | 14m/s  |
| Packing Size:        | 585x247x440mm            | 23"x9 <sup>3</sup> / <sub>4</sub> "x17 <sup>1</sup> / <sub>4</sub> " |
| Unit weight:         | 1.4kg (RCY120-20A)       | 3.11b  |
|                      | 0.9kg (RCY120-20A1)      | 2lb  |
| CTN QTY.:(12pcs)     | 19.5kg (RCY120-20A)      | 43lb   |
|                      | 13.2kg (RCY120-20A1)     | 29.1lb   |
| CTNS of 20'FT:       | 5520pcs (460 CTNS)       |  |



RCY120-20B      RCY120-20B1

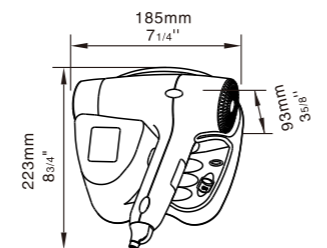
## HAIR DRYER

**RCY120-20B** **RCY120-20B1**

- Characteristics:**
- \*2 air temperature/air flow settings
  - \*On/Off push button
  - \*Wall holder
  - \*On/Off safety switch with pilot lamp

### Specifications:

|                      |                          |   |
|----------------------|--------------------------|---|
| Voltage:             | 220V-240V~/50Hz          | 110-120V/60Hz   |
| Rated Power:         | 1200W                    | 1200W   |
| Current:             | 5.2A                     | 11A   |
| Anti-electric-shock: | <input type="checkbox"/> | <input type="checkbox"/>  |
| Air volume:          | 88m <sup>3</sup> /h      | 88m <sup>3</sup> /h   |
| Air velocity:        | 14m/s                    | 14m/s   |
| Packing Size:        | 585x274x420mm            | 23"x10 <sup>3</sup> / <sub>4</sub> "x16 <sup>1</sup> / <sub>2</sub> " |
| Unit weight:         | 1.4kg (RCY120-20B)       | 3.11b   |
|                      | 0.8kg (RCY120-20B1)      | 1.8lb   |
| CTN QTY.:(12pcs)     | 18.9kg (RCY120-20B)      | 41.6lb  |
|                      | 12.7kg (RCY120-20B1)     | 28lb  |
| CTNS of 20'FT:       | 5520pcs (460 CTNS)       |   |



# AUTOMATIC PERFUME DISPENSER

# AUTOMATIC PERFUME DISPENSER



PXQ-188 PXQ-188A PXQ-188B

## AUTOMATIC PERFUME DISPENSER

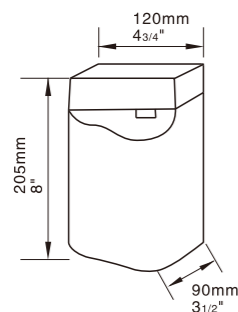
### PXQ-188 Series

#### Characteristics:

- \*ABS strong construction, discreet white finish
- \*Easy aerosol replacement
- \*Lockable to prevent aerosol theft
- \*Sensor technology, three operating choices: 24 hours a day, when sensing light, when sensing darkness
- \*Suitable for 65mm diameter cans (240 ml to 320 ml)
- \*PXQ-188: choice of 5-45 min. spray intervals
- \*PXQ-188A: includes LCD screen; 5/10/20/30/40/60 minutes, 2/4 hours spray intervals; choice of 1-3 shots spray amount
- \*PXQ-188B: includes remote control; 5/10/20/30/40/60 minutes, 2/4 hours spray intervals; choice of 1-3 shots spray amount

#### Specifications:

| Voltage:                | DC2x1.5 V(R20)     | DC2x1.5V(R20)               |
|-------------------------|--------------------|-----------------------------|
| <b>PXQ-188 PXQ-188A</b> |                    |                             |
| Packing Size :          | 515x295x445mm      | 20 1/4" x 11 5/8" x 17 1/2" |
| Unit weight:            | 0.5kg              | 1lb                         |
| CTN QTY.:(24pcs)        | 13.7kg             | 30.2lb                      |
| CTNS of 20'FT:          | 9240pcs (385 CTNS) |                             |
| <b>PXQ-188B</b>         |                    |                             |
| Packing Size :          | 515x320x445mm      | 20 1/4" x 12 5/8" x 17 1/2" |
| Unit weight:            | 0.5kg              | 1.1lb                       |
| CTN QTY.:(24pcs)        | 14.8kg             | 32.6lb                      |
| CTNS of 20'FT:          | 9240pcs (385 CTNS) |                             |



PXQ-288 PXQ-288A

## AUTOMATIC PERFUME DISPENSER

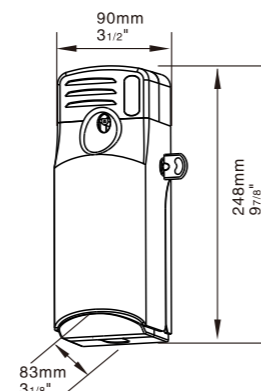
### PXQ-288 Series

#### Characteristics:

- \*ABS strong construction, discreet white finish
- \*Easy aerosol replacement
- \*Lockable to prevent aerosol theft
- \*Sensor technology, three operating choices: 24 hours a day, when sensing light, when sensing darkness
- \*Suitable for 65mm diameter cans (240 ml to 320 ml)
- \*PXQ-288: choice of 5-45 min. spray intervals
- \*PXQ-288A: includes remote control; 5/10/20/30/40/60 minutes, 2/4 hours spray intervals; choice of 1-3 shots spray amount

#### Specifications:

| Voltage:         | DC2x1.5V(R20)       | DC2x1.5V(R20)               |
|------------------|---------------------|-----------------------------|
| <b>PXQ-288</b>   |                     |                             |
| Packing Size :   | 500x275x275mm       | 19 3/4" x 10 7/8" x 10 7/8" |
| Unit weight:     | 0.5kg               | 1.1lb                       |
| CTN QTY.:(15pcs) | 9kg                 | 20lb                        |
| CTNS of 20'FT:   | 10560pcs (704 CTNS) |                             |
| <b>PXQ-288A</b>  |                     |                             |
| Packing Size :   | 585X275X275mm       | 23" x 10 7/8" x 10 7/8"     |
| Unit weight:     | 0.52kg              | 1.2lb                       |
| CTN QTY.:(15pcs) | 10kg                | 22lb                        |
| CTNS of 20'FT:   | 10080pcs (672 CTNS) |                             |



PXQ388 PXQ388A PXQ388B

## AUTOMATIC PERFUME DISPENSER

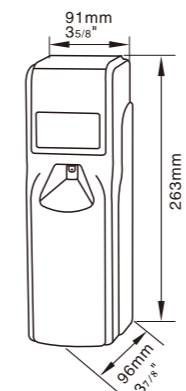
### PXQ388 Series

#### Characteristics:

- \*Chemical resistant white polypropylene plastic casing
- \*Discreet white finish
- \*Easy aerosol replacement
- \*Lockable to prevent aerosol theft
- \*Sensor technology, three operating choices: 24 hours a day, when sensing light, when sensing darkness
- \*PXQ388: choice of 5-45 min. spray intervals
- \*PXQ388A: includes LCD screen, choice of 1 min-4 hrs spray intervals; 1-3 shots spray amount; 0-24 hour operation; start/stop time and days of operation (from Monday to Sunday)
- \*PXQ388B: includes remote control; 5/10/20/30/40/60 minutes, 2/4 hours spray intervals; choice of 1-3 shots spray amount

#### Specifications:

| Voltage:              | DC2x1.5V(R20)      | DC2x1.5V(R20)           |
|-----------------------|--------------------|-------------------------|
| <b>PXQ388 PXQ388A</b> |                    |                         |
| Packing Size :        | 420x305x555mm      | 16 1/2" x 12" x 21 7/8" |
| Unit weight:          | 0.5kg              | 1.1lb                   |
| CTN QTY.:(24pcs)      | 14.3kg             | 31.5lb                  |
| CTNS of 20'FT:        | 9408pcs (392 CTNS) |                         |
| <b>PXQ388B</b>        |                    |                         |
| Unit weight:          | 0.55kg             | 1.21lb                  |
| CTN QTY.:(24pcs)      | 15.3kg             | 33.7lb                  |
| CTNS of 20'FT:        | 9408pcs (392 CTNS) |                         |



PXQ488 PXQ488A PXQ488B

## AUTOMATIC PERFUME DISPENSER

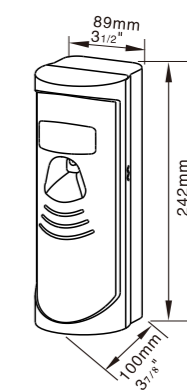
### PXQ488 Series

#### Characteristics:

- \*Chemical resistant white polypropylene plastic casing
- \*Discreet white finish
- \*Easy aerosol replacement
- \*Lockable to prevent aerosol theft
- \*Sensor technology, three operating choices: 24 hours a day, when sensing light, when sensing darkness
- \*PXQ488: choice of 5-45 min. spray intervals
- \*PXQ488A: includes LCD screen, choice of 1 min-4 hrs spray intervals; 1-3 shots spray amount; 0-24 hour operation; start/stop time and days of operation (from Monday to Sunday)
- \*PXQ488B: includes remote control; 5/10/20/30/40/60 minutes, 2/4 hours spray intervals; choice of 1-3 shots spray amount

#### Specifications:

| Voltage:              | DC2x1.5V(R20)       | DC2x1.5V(R20)           |
|-----------------------|---------------------|-------------------------|
| <b>PXQ488 PXQ488A</b> |                     |                         |
| Packing Size :        | 390x330x520mm       | 15 1/4" x 13" x 20 1/2" |
| Unit weight:          | 0.51kg              | 1.1lb                   |
| CTN QTY.:(24pcs)      | 15.9kg              | 35lb                    |
| CTNS of 20'FT:        | 10080pcs (420 CTNS) |                         |
| <b>PXQ488B</b>        |                     |                         |
| Unit weight:          | 0.55kg              | 1.2lb                   |
| CTN QTY.:(24pcs)      | 16.5kg              | 36.4lb                  |
| CTNS of 20'FT:        | 10080pcs (420 CTNS) |                         |





## MULTIFUNCTIONAL BATHROOM MIRROR COMBINATION SERIES



Hand touch control panel



LED light



With pet mist removal function

## MULTIFUNCTIONAL BATHROOM MIRROR COMBINATION SERIES



## MULTIFUNCTIONAL BATHROOM MIRROR COMBINATION SERIES

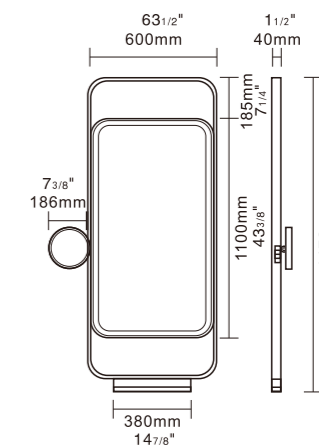
### YSG1470-Z

#### Characteristics:

- \*5mm high-definition eco-friendly silver mirror;
- \*Stainless steel frame with antique bronze paint finish;
- \*Decorative exterior front mirror light, 3300K color temperature;
- \*High-safety IP67 waterproof power supply.

#### Specifications:

|                |                   |                            |
|----------------|-------------------|----------------------------|
| Voltage:       | 220V-240V~/50Hz   | 110-120V/60Hz              |
| Rated Power:   | 45W               | 45W                        |
| Packing Size:  | 1540x 820 x 120mm | 60 1/2" x 32 1/4" x 4 3/4" |
| Unit weight:   | 16.6kg            | 36.6lb                     |
| CTN QTY.:(1pc) | 30kg              | 66lb                       |



Shape and size can be customized



## MULTIFUNCTIONAL BATHROOM MIRROR COMBINATION SERIES

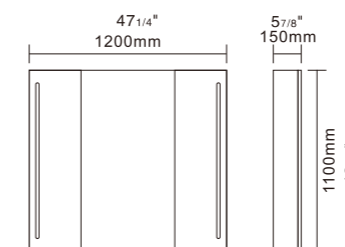
### YSG241021KS

#### Characteristics:

- \*Double-hinged doors (left & right opening);
- \*5mm high-definition eco-certified silver mirror;
- \*LED light panel, 6000K color temperature;
- \*Single touch switch with 30W high-safety IP67 & 3C-certified waterproof power supply;
- \*Material: Black stainless steel frame;
- \*Accessories:
  - Recessed sensor soap dispenser (engineering plastic, smart sensor system);
  - Stainless steel recessed tissue box;

#### Specifications:

|                |                    |                    |
|----------------|--------------------|--------------------|
| Voltage:       | 220V-240V~/50Hz    | 110-120V/60Hz      |
| Rated Power:   | 30W                | 30W                |
| Packing Size:  | 1270x 1170 x 200mm | 50" x 50" x 7 7/8" |
| Unit weight:   | 42.8kg             | 94lb               |
| CTN QTY.:(1pc) | 63kg               | 139lb              |



Shape and size can be customized

## MULTIFUNCTIONAL BATHROOM MIRROR COMBINATION SERIES



### MULTIFUNCTIONAL BATHROOM MIRROR COMBINATION SERIES

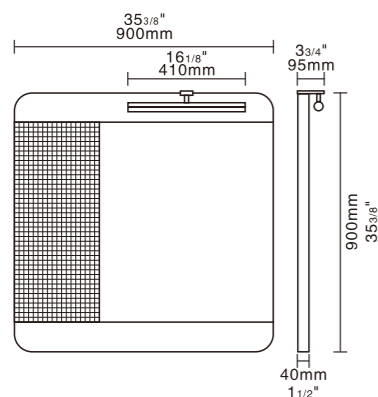
**YSG900K**

#### Characteristics:

- \* 1.5mm high-definition environmentally friendly silvered mirror;
- \* Stainless steel frame with a matte black paint finish;
- \* Exterior decorative pre-mirror lighting with a 4000K color temperature;
- \* Equipped with a high safety-rated IP67 waterproof power supply;
- \* Single-set touch-sensitive switch configuration;
- \* Accessories: Tray, hair styling tool holder, power strip.

#### Specifications:

|                |                 |                      |
|----------------|-----------------|----------------------|
| Voltage:       | 220V-240V~/50Hz | 110-120V/60Hz        |
| Rated Power:   | 36W             | 36W                  |
| Packing Size:  | 1040x1040x270mm | 407/8"x407/8"x101/2" |
| Unit weight:   | 14kg            | 31lb                 |
| CTN QTY.:(1pc) | 27kg            | 60lb                 |



Shape and size can be customized



### MULTIFUNCTIONAL BATHROOM MIRROR COMBINATION SERIES

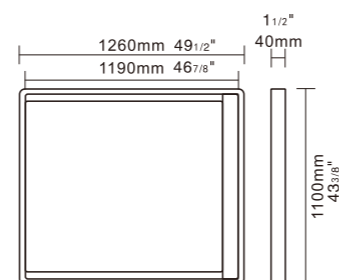
**1260ZW1-Y**

#### Characteristics:

- \* 5mm high-definition eco-friendly silver mirror;
- \* Stainless steel frame with bamboo-pattern veneer;
- \* 3500K color temperature LED waterproof front mirror light;
- \* Single-group touch-sensitive switch configuration;
- \* High-safety IP67 waterproof power supply.

#### Specifications:

|                |                 |                  |
|----------------|-----------------|------------------|
| Voltage:       | 220V-240V~/50Hz | 110-120V/60Hz    |
| Rated Power:   | 60W             | 60W              |
| Packing Size:  | 1330x1170x105mm | 523/4"x46"x41/8" |
| Unit weight:   | 21kg            | 46lb             |
| CTN QTY.:(1pc) | 30kg            | 66lb             |



Shape and size can be customized



### MULTIFUNCTIONAL BATHROOM MIRROR COMBINATION SERIES

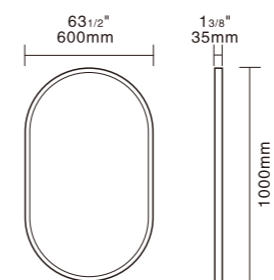
**240424DK**

#### Characteristics:

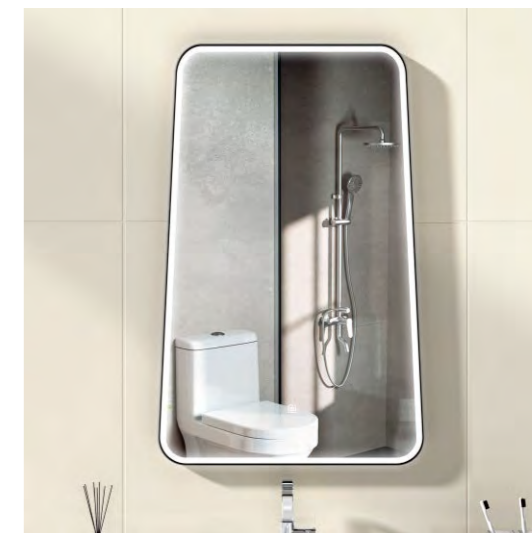
- \* 5mm high-definition eco-friendly silver mirror;
- \* Premium aluminum alloy titanium black brushed frame;
- \* Slim-edge design;
- \* 5000K color temperature LED waterproof front mirror light;
- \* Single-group touch-sensitive switch configuration;
- \* High-safety IP67 waterproof power supply.

#### Specifications:

|                |                 |                     |
|----------------|-----------------|---------------------|
| Voltage:       | 220V-240V~/50Hz | 110-120V/60Hz       |
| Rated Power:   | 36W             | 36W                 |
| Packing Size:  | 1070X670X105mm  | 421/8"x263/8"x41/8" |
| Unit weight:   | 9.5kg           | 21lb                |
| CTN QTY.:(1pc) | 18kg            | 40lb                |



Shape and size can be customized



### MULTIFUNCTIONAL BATHROOM MIRROR COMBINATION SERIES

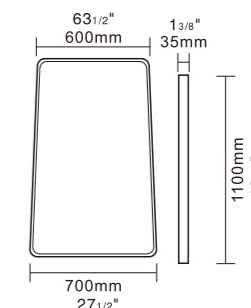
**1100RK-DC**

#### Characteristics:

- \* 5mm high-definition eco-friendly silver mirror;
- \* Premium aluminum alloy titanium black brushed frame;
- \* Slim-edge design;
- \* 6000K color temperature LED waterproof front mirror light;
- \* Anti-fog mirror design with imported PET anti-fog film;
- \* Single-group touch-sensitive switch configuration;
- \* High-safety IP67 waterproof power supply.

#### Specifications:

|                |                 |                     |
|----------------|-----------------|---------------------|
| Voltage:       | 220V-240V~/50Hz | 110-120V/60Hz       |
| Rated Power:   | 45W             | 45W                 |
| Packing Size:  | 1770X770X105mm  | 693/4"x303/8"x41/8" |
| Unit weight:   | 12.5kg          | 28lb                |
| CTN QTY.:(1pc) | 22kg            | 49lb                |



Shape and size can be customized

**MULTIFUNCTIONAL BATHROOM MIRROR COMBINATION SERIES**



**MULTIFUNCTIONAL BATHROOM MIRROR COMBINATION SERIES**

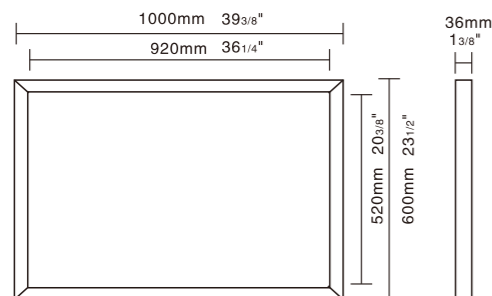
**YSG100AK**

**Characteristics:**

- \*The LED mirror light formed integrally with the mirror, beautiful and practical
- \*Comes with anti-fog function, easy to remove mist on the mirror. (Auto off after 30 mins)
- \*Indoor temperature display
- \*With touch control panel, use-friendly and convenient.
- \*Adopts high definition and eco-friendly silver mirror
- \*Material: aluminum alloy and 5mm eco-friendly silver mirror

**Specifications:**

|                |                   |                            |
|----------------|-------------------|----------------------------|
| Voltage:       | 220V-240V~/50Hz   | 110-120V/60Hz              |
| Rated Power:   | 38W               | 38W                        |
| Packing Size:  | 1070x 105 x 675mm | 42 1/8" x 4 1/8" x 26 1/2" |
| Unit weight:   | 9.8kg             | 21.6lb                     |
| CTN QTY.:(1pc) | 11.1kg            | 24.4lb                     |



Shape and size can be customized



**MULTIFUNCTIONAL BATHROOM MIRROR COMBINATION SERIES**

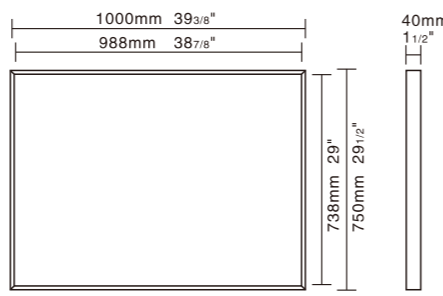
**YSG100BK**

**Characteristics:**

- \*The LED mirror light formed integrally with the mirror, beautiful and practical
- \*Comes with anti-fog function, easy to remove mist on the mirror. (Auto off after 30 mins)
- \*Indoor temperature display
- \*With touch control panel, use-friendly and convenient.
- \*Adopts high definition and eco-friendly silver mirror
- \*Material: aluminum alloy and 5mm eco-friendly silver mirror

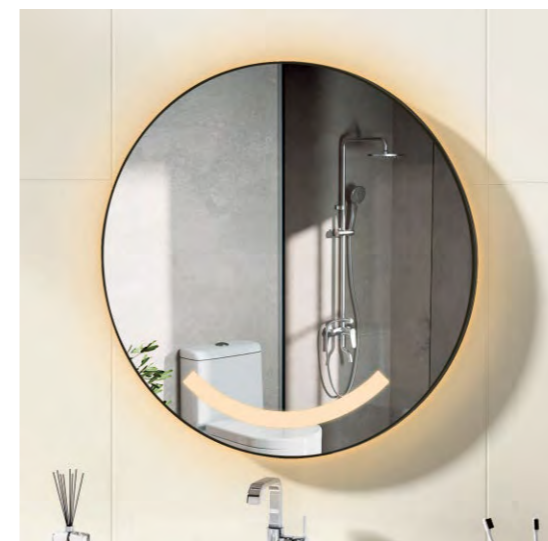
**Specifications:**

|                |                   |                            |
|----------------|-------------------|----------------------------|
| Voltage:       | 220V-240V~/50Hz   | 110-120V/60Hz              |
| Rated Power:   | 78W               | 78W                        |
| Packing Size:  | 1070x 105 x 825mm | 42 1/8" x 4 1/8" x 32 3/8" |
| Unit weight:   | 14kg              | 31lb                       |
| CTN QTY.:(1pc) | 16kg              | 35.3lb                     |



Shape and size can be customized

**MULTIFUNCTIONAL BATHROOM MIRROR COMBINATION SERIES**



**MULTIFUNCTIONAL BATHROOM MIRROR COMBINATION SERIES**

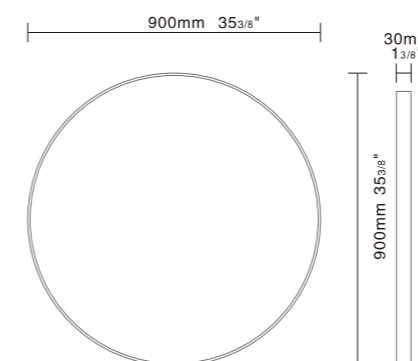
**YSG900EK**

**Characteristics:**

- \* 5mm high-definition eco-friendly silver mirror;
- \* Premium aluminum alloy electroplated brushed frame;
- \* Slim-edge design;
- \* 3000K color temperature LED waterproof front mirror light;
- \* Single-group touch-sensitive switch configuration;
- \* High-safety IP67 waterproof power supply.

**Specifications:**

|                |                  |                            |
|----------------|------------------|----------------------------|
| Voltage:       | 220V-240V~/50Hz  | 110-120V/60Hz              |
| Rated Power:   | 45W              | 45W                        |
| Packing Size:  | 970x 970 x 105mm | 38 1/8" x 38 1/8" x 4 1/8" |
| Unit weight:   | 10kg             | 22lb                       |
| CTN QTY.:(1pc) | 22.5kg           | 50lb                       |



Shape and size can be customized



**MULTIFUNCTIONAL BATHROOM MIRROR COMBINATION SERIES**

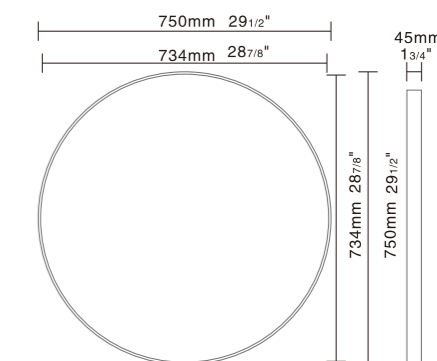
**YSG75CK**

**Characteristics:**

- \*The LED mirror light formed integrally with the mirror, beautiful and practical
- \*With touch control panel, use-friendly and convenient.
- \*Adopts high definition and eco-friendly silver mirror
- \*Material: aluminum alloy and 5mm eco-friendly silver mirror

**Specifications:**

|                |                  |                            |
|----------------|------------------|----------------------------|
| Voltage:       | 220V-240V~/50Hz  | 110-120V/60Hz              |
| Rated Power:   | 29W              | 29W                        |
| Packing Size:  | 820x 105 x 820mm | 32 1/4" x 4 1/8" x 32 1/4" |
| Unit weight:   | 10kg             | 22lb                       |
| CTN QTY.:(1pc) | 11kg             | 24.2lb                     |



Shape and size can be customized

MULTIFUNCTIONAL BATHROOM MIRROR COMBINATION SERIES



MULTIFUNCTIONAL BATHROOM MIRROR COMBINATION SERIES

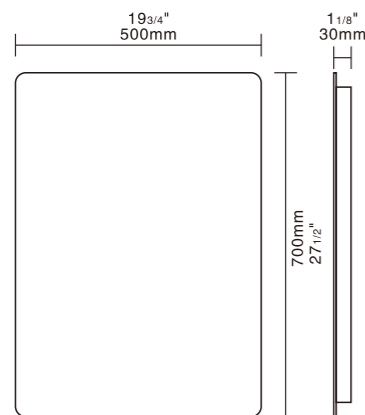
**YSG50AK**

Characteristics:

- \*The LED mirror light formed integrally with the mirror, beautiful and practical
- \*Comes with anti-fog function, easy to remove mist on the mirror. (Auto off after 30 mins)
- \*Indoor temperature display
- \*With touch control panel, use-friendly and convenient.
- \*Adopts high definition and eco-friendly silver mirror
- \*Material: 304 stainless steel and 5mm eco-friendly silver mirror

Specifications:

|                |                  |                            |
|----------------|------------------|----------------------------|
| Voltage:       | 220V-240V~/50Hz  | 110-120V/60Hz              |
| Rated Power:   | 25W              | 25W                        |
| Packing Size:  | 770x 105 x 590mm | 30 1/4" x 4 1/8" x 23 1/4" |
| Unit weight:   | 6.5kg            | 14.3lb                     |
| CTN QTY.:(1pc) | 7.4kg            | 16.3lb                     |



Shape and size can be customized



MULTIFUNCTIONAL BATHROOM MIRROR COMBINATION SERIES

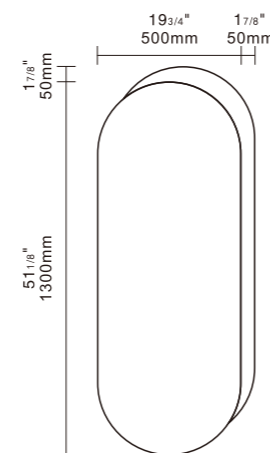
**YSG1300K-MX-0**

Characteristics:

- \*5mm high-definition eco-friendly silver mirror;
- \* Premium aluminum alloy brushed frame;

Specifications:

|                |                |                            |
|----------------|----------------|----------------------------|
| Packing Size:  | 1370x670X105mm | 53 7/8" x 26 3/8" x 4 1/8" |
| Unit weight:   | 10.7kg         | 23.6lb                     |
| CTN QTY.:(1pc) | 20kg           | 44lb                       |



Shape and size can be customized

MULTIFUNCTIONAL BATHROOM MIRROR COMBINATION SERIES



MULTIFUNCTIONAL BATHROOM MIRROR COMBINATION SERIES

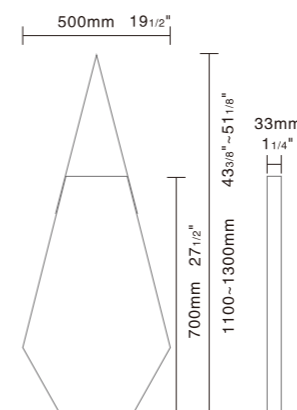
**YSG50P**

Characteristics:

- \*Adopts high definition and eco-friendly silver mirror
- \*Material: Artificial leather and 5mm eco-friendly silver mirror

Specifications:

|                |                  |                            |
|----------------|------------------|----------------------------|
| Packing Size:  | 770x 105 x 570mm | 30 3/8" x 4 1/8" x 22 3/8" |
| Unit weight:   | 8kg              | 17.6lb                     |
| CTN QTY.:(1pc) | 9kg              | 19.8lb                     |



Shape and size can be customized



MULTIFUNCTIONAL BATHROOM MIRROR COMBINATION SERIES

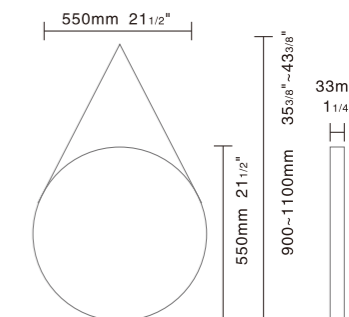
**YSG55P**

Characteristics:

- \*Adopts high definition and eco-friendly silver mirror
- \*Material: Artificial leather and 5mm eco-friendly silver mirror

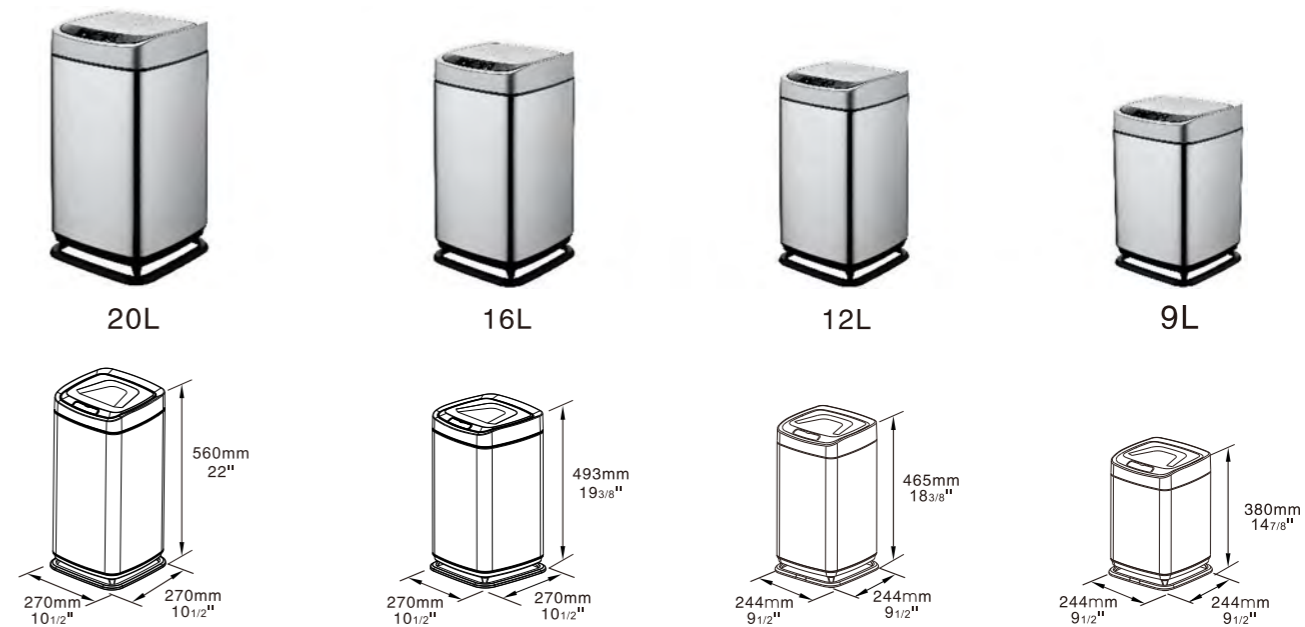
Specifications:

|                |                  |                            |
|----------------|------------------|----------------------------|
| Packing Size:  | 570x 105 x 570mm | 22 3/8" x 4 1/8" x 22 3/8" |
| Unit weight:   | 8kg              | 17.6lb                     |
| CTN QTY.:(1pc) | 9kg              | 19.8lb                     |



Shape and size can be customized

# SENSOR BIN



## SENSOR BIN

### LJT288

#### Characteristics:

- \*Unique touch bin opening lid technology
- \*Infrared induction, touch button to open and close the lid
- \*5 seconds delayed close function, silent cushion close technology
- \*Humanization buckle design, Specially equipped with deodorant, anti-insect box
- \*The bin is made of anti-fingerprint stainless steel, different color panels can be selected
- \*Special holder design, preventing bacterial growth



Infrared Sensor



Infrared sensor



Feather touch button to open and close



5 seconds delayed close function



Humanization buckle design



Silent cushion close technology

#### Specifications:

|                 |                     |                             |       |
|-----------------|---------------------|-----------------------------|-------|
| Voltage:        | 3.7V/ DC4x1.5V(LR6) |                             |       |
| Packing Size:   | 350x350x635mm       | 13 3/4" x 13 3/4" x 25"     | (20L) |
|                 | 350x350x565mm       | 13 3/4" x 13 3/4" x 22 1/4" | (16L) |
|                 | 310x310x540mm       | 12 1/4" x 12 1/4" x 19 7/8" | (12L) |
|                 | 310x310x455mm       | 12 1/4" x 12 1/4" x 17 7/8" | (9L)  |
| Unit weight:    | 3.4kg               | 7.5lb                       | (20L) |
|                 | 3.1kg               | 6.8 lb                      | (16L) |
|                 | 3kg                 | 6.6 lb                      | (12L) |
|                 | 2.7kg               | 6 lb                        | (9L)  |
| CTN QTY.:1(pcs) | 5.4kg               | 12 lb                       | (20L) |
|                 | 4.9kg               | 11 lb                       | (16L) |
|                 | 4.6kg               | 10 lb                       | (12L) |
|                 | 4kg                 | 9 lb                        | (9L)  |
| CTNS of 20'FT:  | 288pcs(CTNS)        |                             | (20L) |
|                 | 384pcs(CTNS)        |                             | (16L) |
|                 | 532pcs(CTNS)        |                             | (12L) |
|                 | 665pcs(CTNS)        |                             | (9L)  |



SATIN



BLACK



ICE BLUE



CHARTERUSE



## SENSOR BIN



### BIN

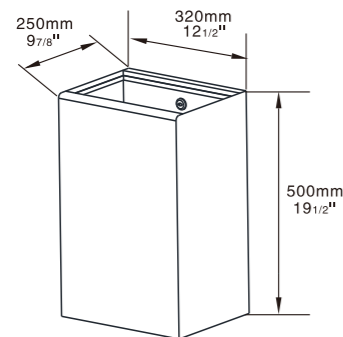
#### LJT40K-R

##### Characteristics:

- \*Made of type 304, 22guage (0.8mm) stainless steel with satin finish,
- \*which is durable and steady
- \*40L big capacity and easy to clean

##### Specifications:

|                 |               |                             |
|-----------------|---------------|-----------------------------|
| Packing Size:   | 340x265x525mm | 13 3/8" x 10 3/8" x 20 1/2" |
| Unit weight:    | 4.83kg        | 10.6 lb                     |
| CTN QTY.:1(pcs) | 5.76kg        | 12.7 lb                     |
| CTNS of 20'FT:  | 657pcs        | (657CTNS)                   |



### BIN

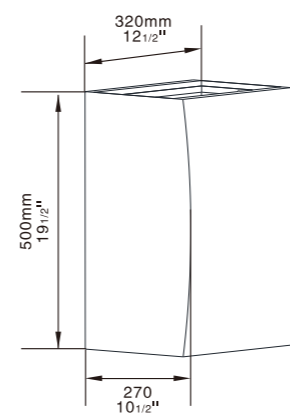
#### LJT40K-H

##### Characteristics:

- \*Made of type 304, 22guage (0.8mm) stainless steel with satin finish,
- \*which is durable and steady
- \*40L big capacity and easy to clean.

##### Specifications:

|                 |               |                             |
|-----------------|---------------|-----------------------------|
| Packing Size:   | 340x285x525mm | 13 3/8" x 11 1/4" x 20 1/2" |
| Unit weight:    | 5.6kg         | 12.3 lb                     |
| CTN QTY.:1(pcs) | 6.3kg         | 13.9 lb                     |
| CTNS of 20'FT:  | 584pcs        | (584CTNS)                   |



## SENSOR BIN



### BIN

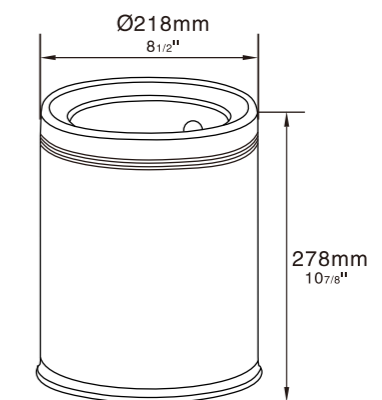
#### LJT2308

##### Characteristics:

- \*Capacity: 6L

##### Specifications:

|                 |               |                     |
|-----------------|---------------|---------------------|
| Packing Size:   | 280x280x325mm | 11" x 11" x 12 3/4" |
| Unit weight:    | 1.2kg         | 2.6 lb              |
| CTN QTY.:1(pcs) | 1.5kg         | 3.3 lb              |
| CTNS of 20'FT:  | 1120pcs       | (1120CTNS)          |



Satin



Champagne gold



Titanium black