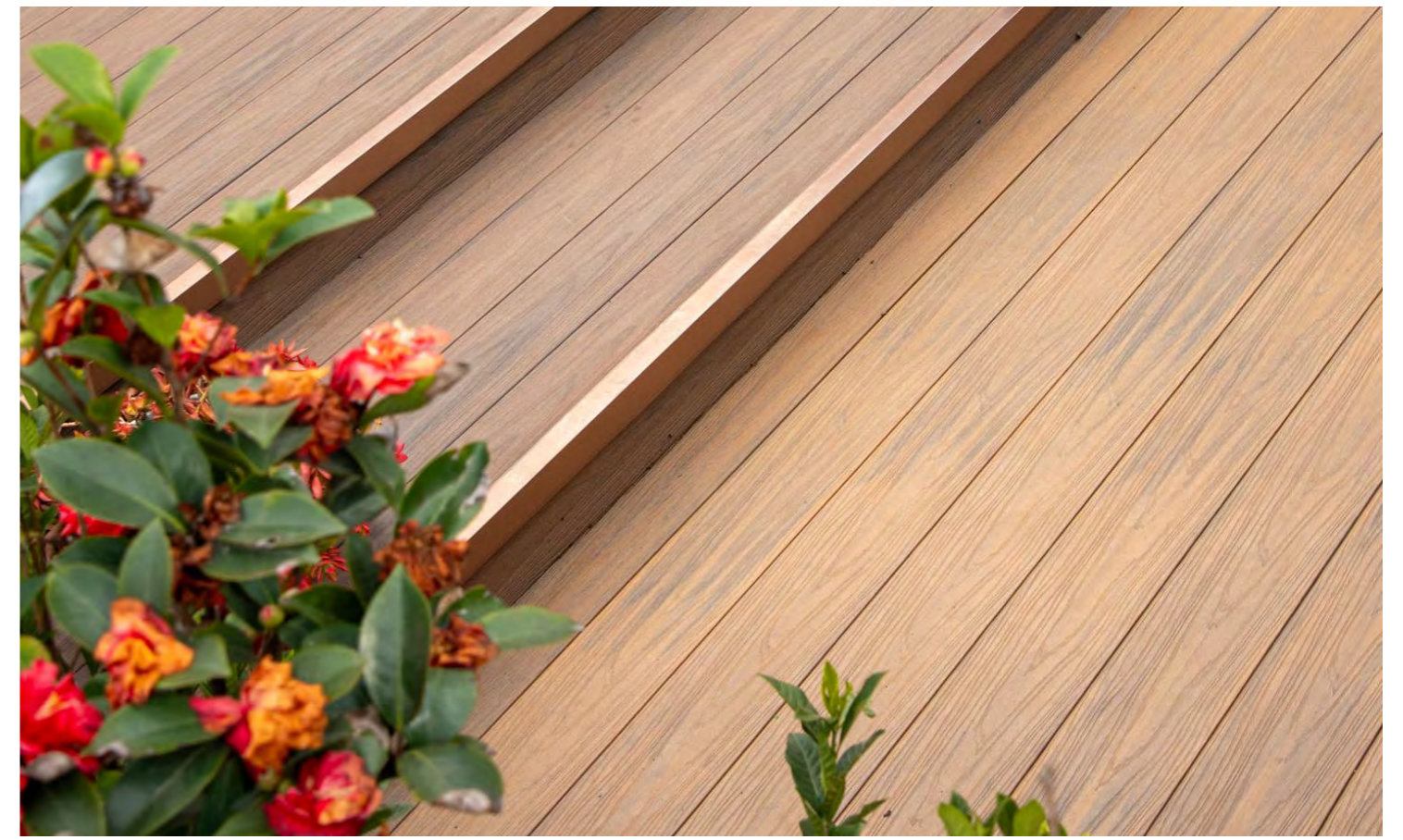
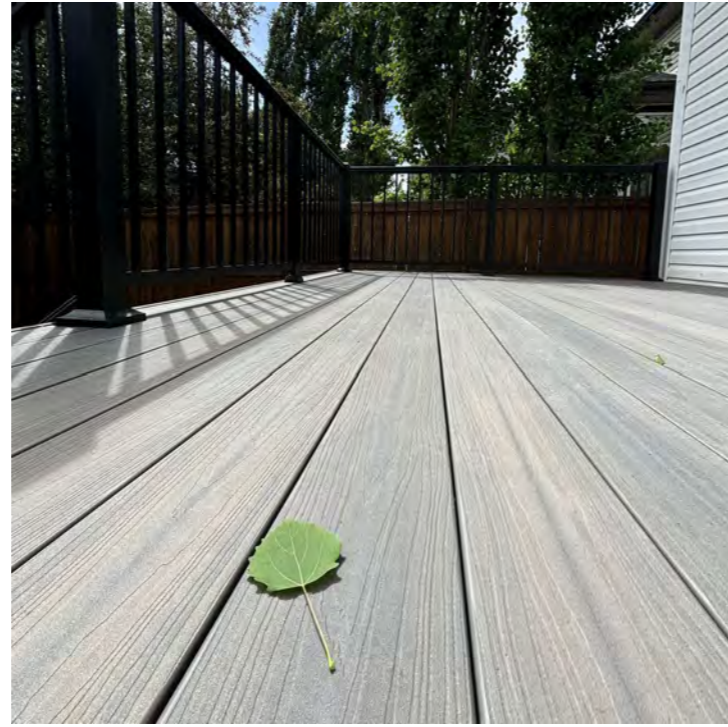
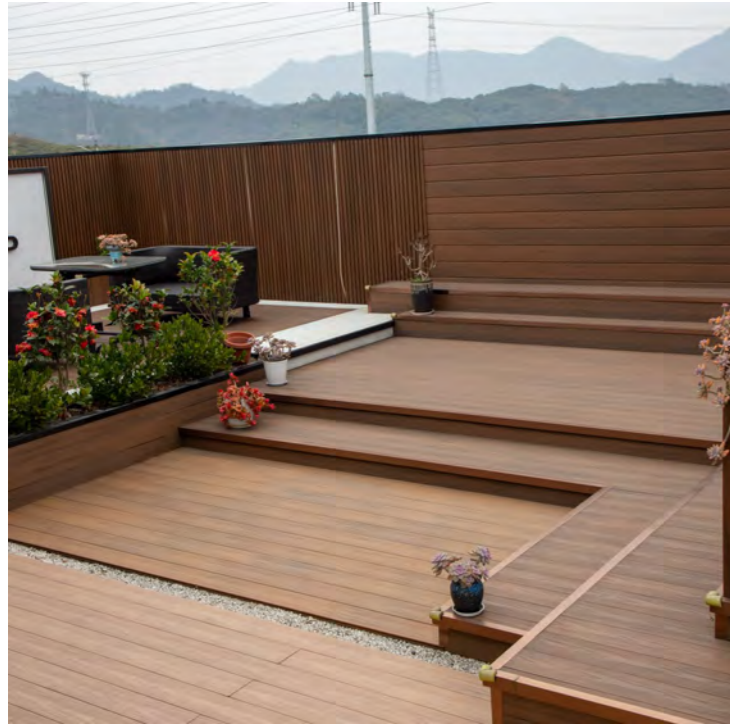
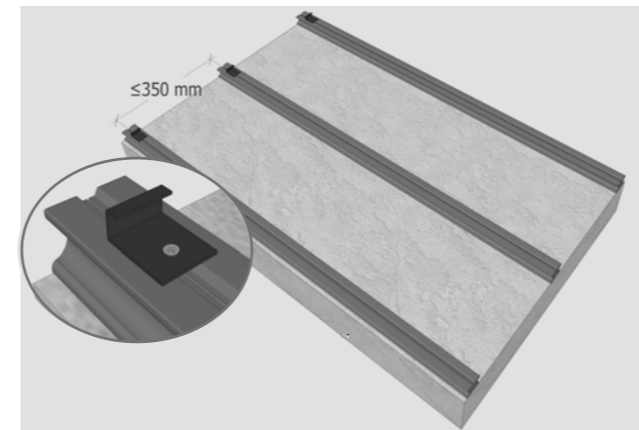




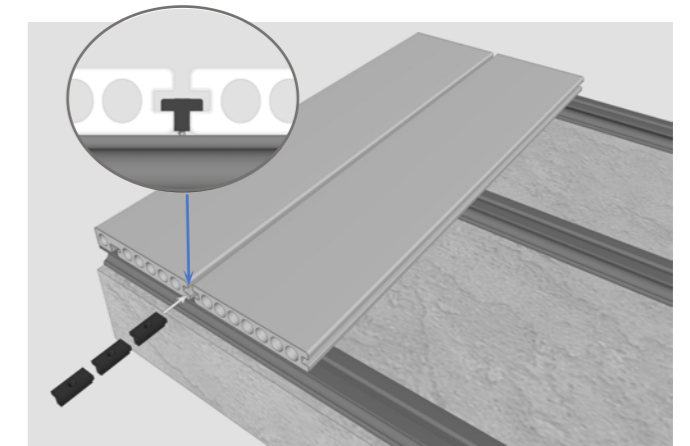
# 共挤木塑地板 Co-extrusion decking



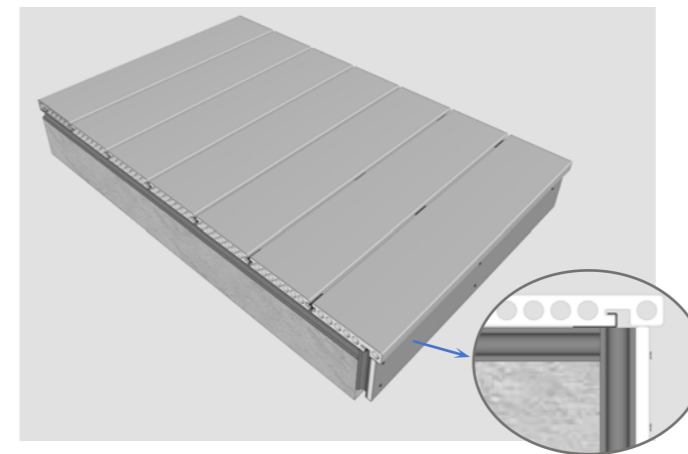
## 地板安装图解 Installation Diagram



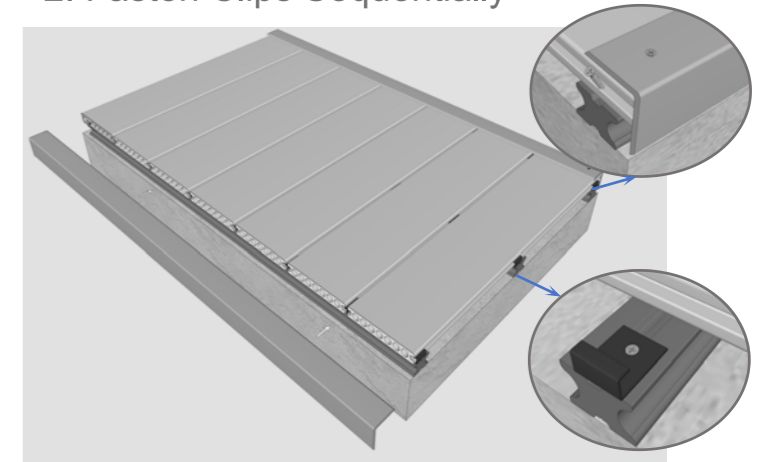
1. 固定龙骨和起始卡扣。  
1. Install joists and Starting Clips



2. 安装地板和卡扣。  
2. Fasten Clips Sequentially



3. 安装侧边板。  
3. Install Side Panels



4. 安装封边。  
4. Install Edge Trims

## 常用配件 Common Accessories



塑料卡扣  
Plastic Clip



不锈钢卡扣  
Stainless Steel Clip



起始卡扣  
Starting Clip



不锈钢螺丝  
Screw

# 共挤地板常用规格 Co-extrusion decking Size

Model	Drawing	Size (mm)	Picture
GJ140-10AS		10*140	
GJ140*20AS		20*140	
GJ140*20BS		20*140	
GJ140*23AK		23*140	
GJ150*23AK		23*150	
GJ150*23EK		23*150	
GJ150*23DK		23*150	

## 常用颜色 Common Colors



# 一代地板常用颜色 Common Colors



# 一代地板常用规格 First-generation WPC decking Size

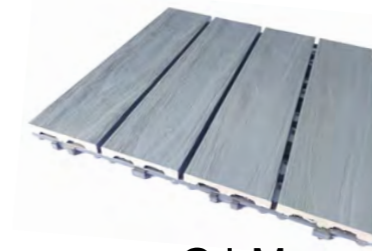
Model	Drawing	Size (mm)	Picture
PT140*20AS		20*140	
YH140*20.7AS		20.7*140	
YH140*22AK		22*140	
PT140*22.5AS		22.5*140	
YH150*23AK		23*150	
YH150*23BK		23*150	
PT146*24AF		24*146	
PT140*25AK		25*140	
PT140*29.2AS		29.2*140	
PT140*30AS		30*140	

# DIY 地板 DIY Decking



# DIY地板样式 Styles

## 共挤DIY地板 Co-extrusion DIY Decking



GJ-M

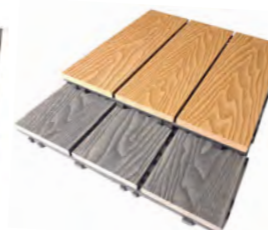


GJ-S

## 一代DIY地板 3D Embossed DIY Decking



PT-3D-M



PT-3D-S



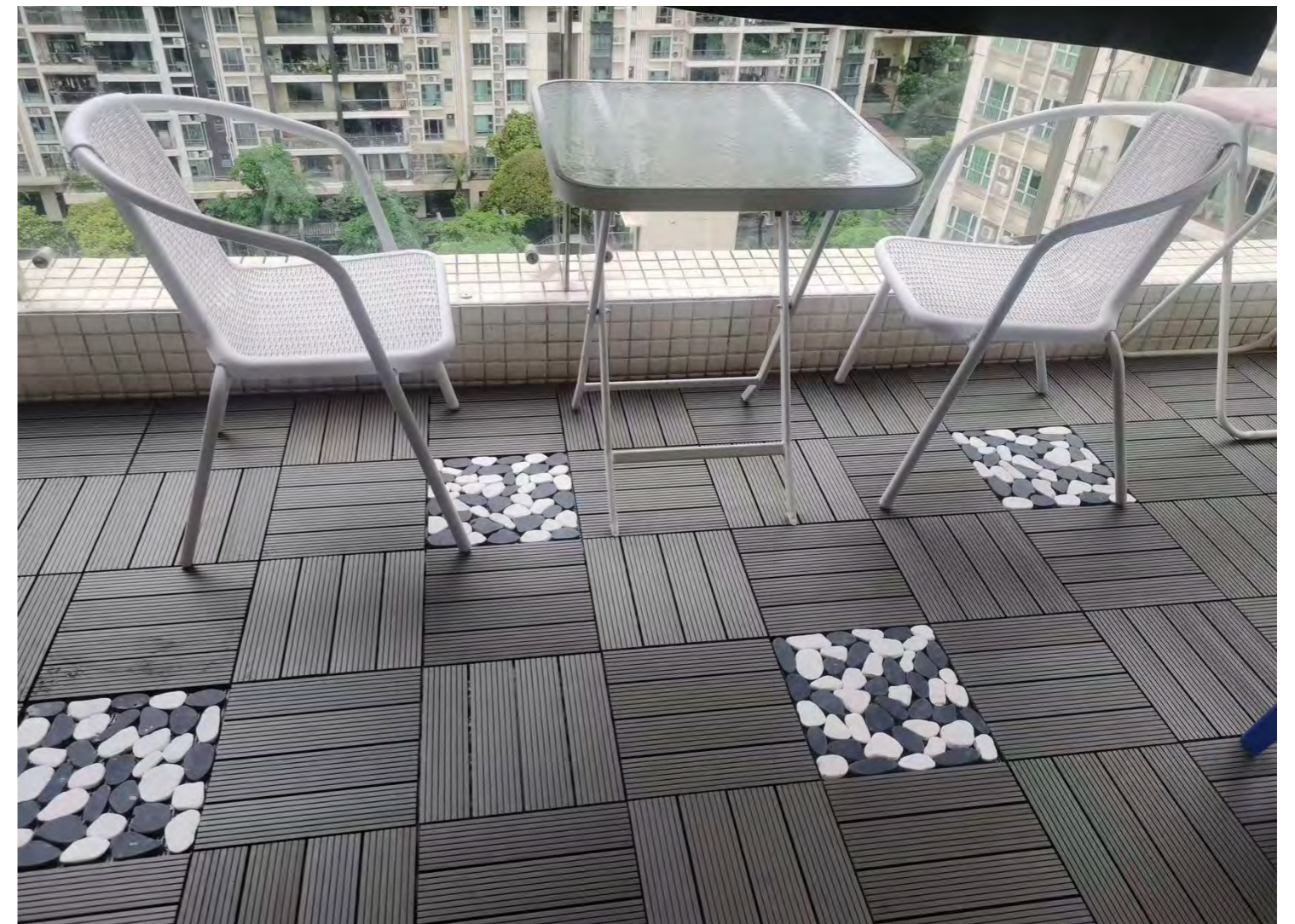
PT-2D-M



PT-M

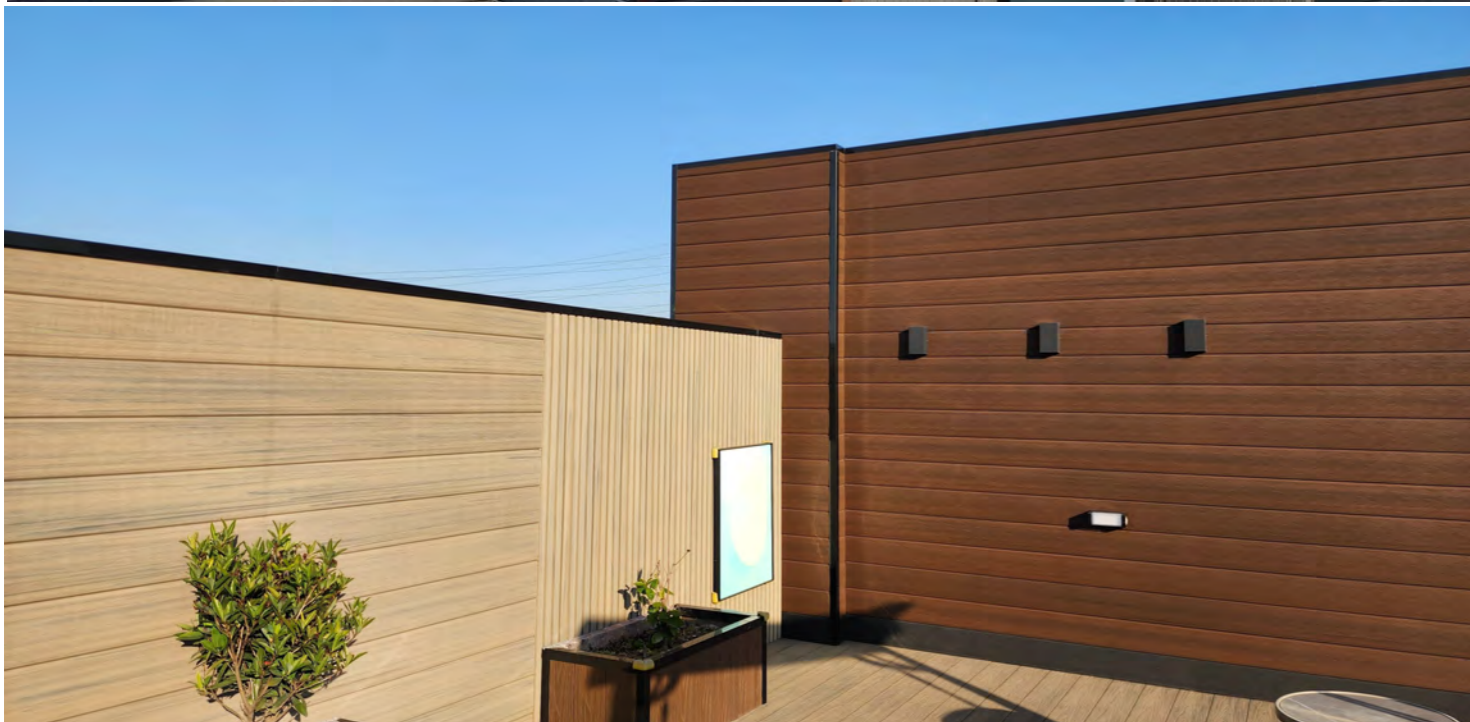


PT-S

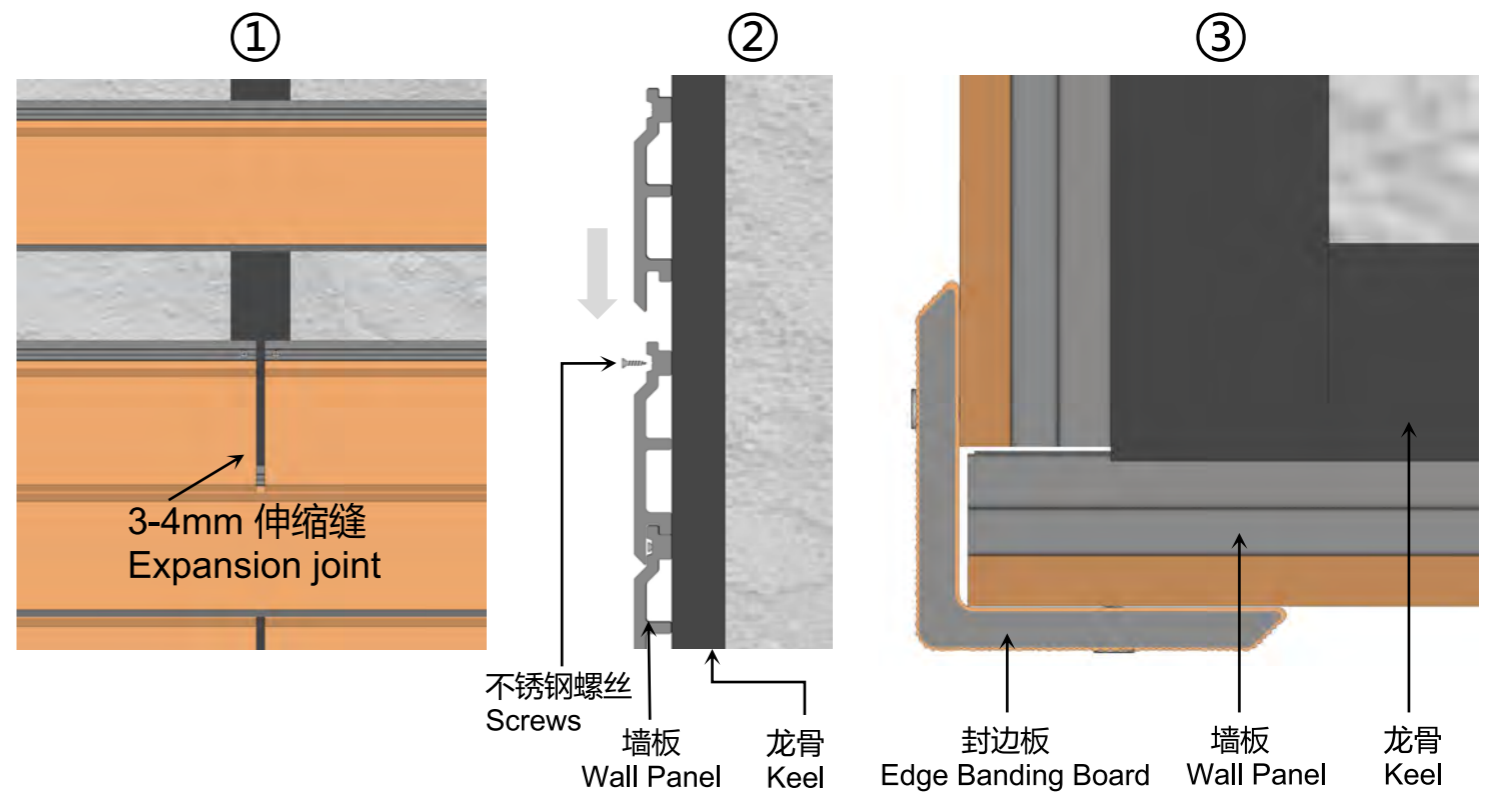


# 木塑墙面装饰板

## Wood-Plastic Composite Wall Cladding



### 墙板安装图解 Installation Diagram



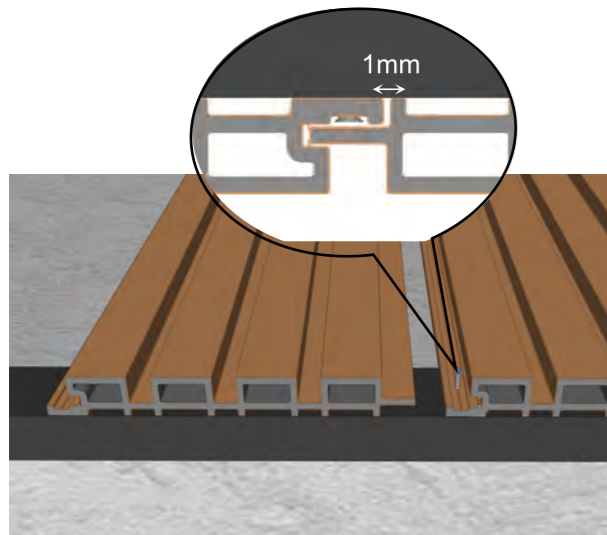
# 木塑墙面装饰板

## Wood-Plastic Composite Wall Cladding



# 常用规格 Common Size

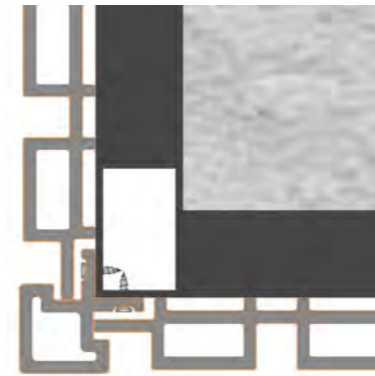
Model	Drawing	Size (mm)	Picture
YH148*21AK	 使用面宽度126.5	21*148	
GJ148-13AS	 使用面宽度143	13*148	
GJ170-20AM	 使用面宽度151	20*170	
GJ126*21AM	 使用面宽度104	21*126	
GJ128-25AF	 使用面宽度112.5	25*128	
GJ195-25AF	 使用面宽度177.5	25*195	
GJ219-26AF	 使用面宽度200	26*219	



L型封边  
L-shaped Edge Banding



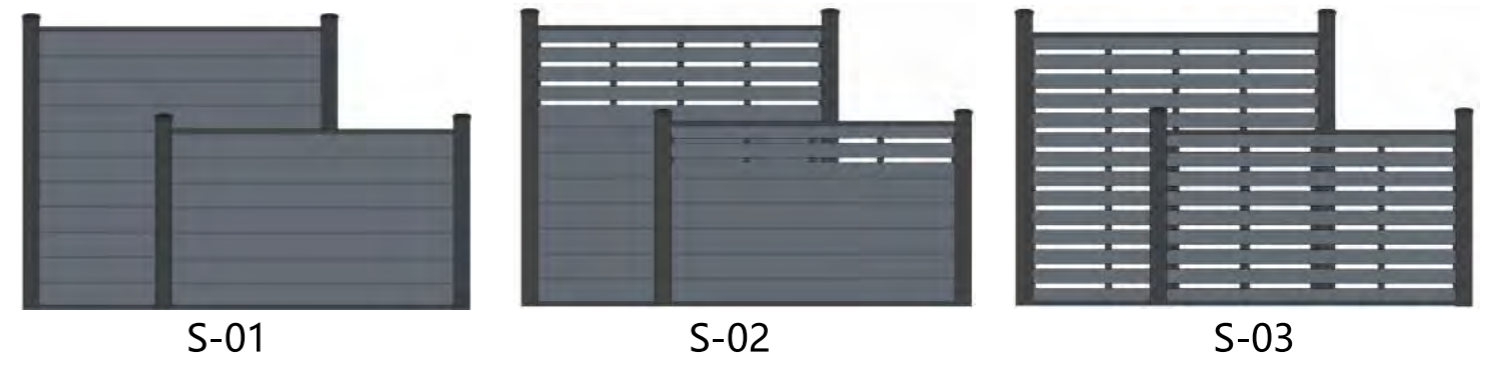
阳角条封边  
External Corner Strip Edge Banding



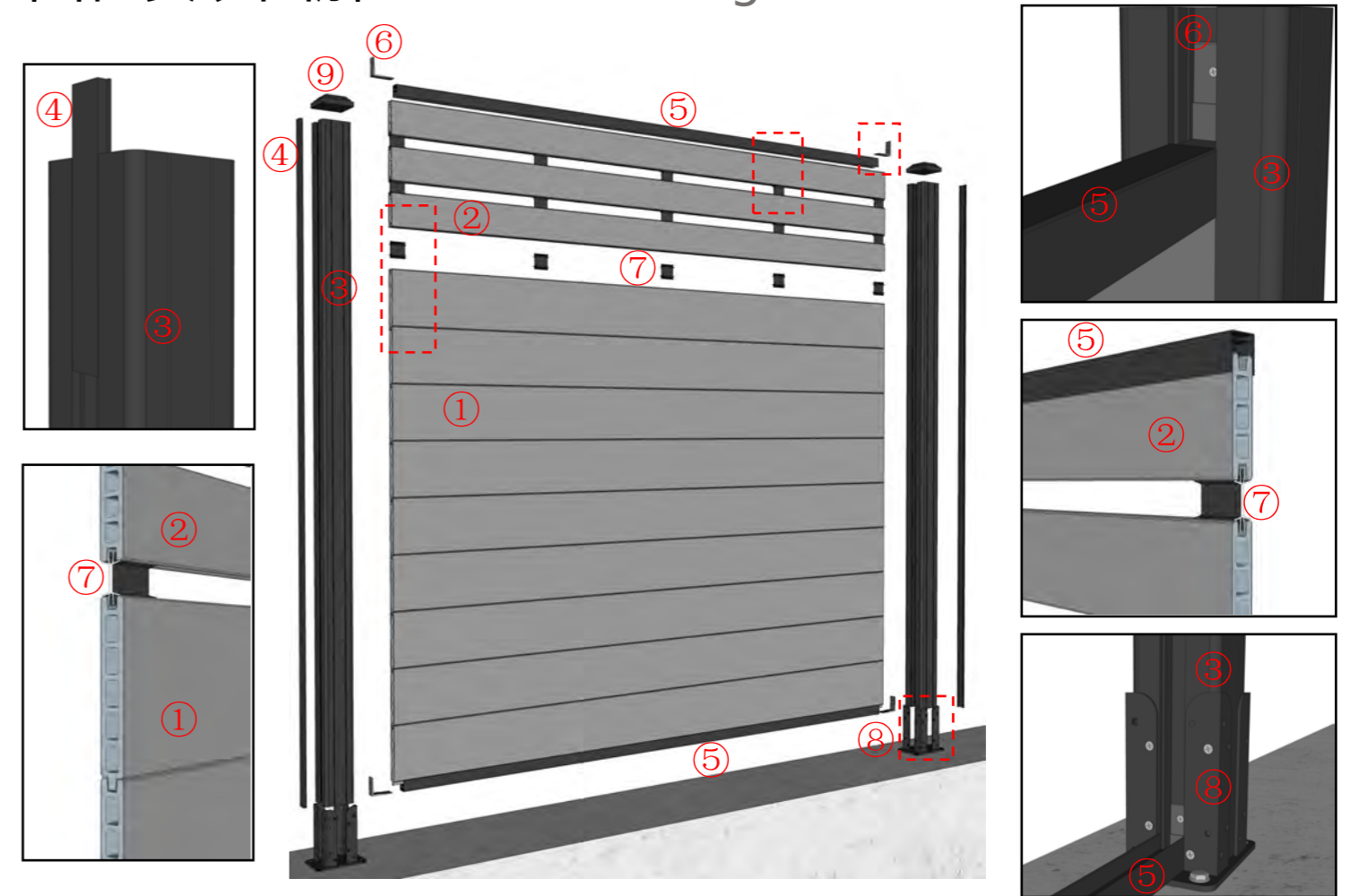
# 木塑围栏 Wood-Plastic Composite Fencing

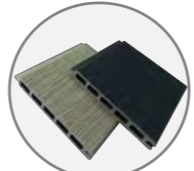
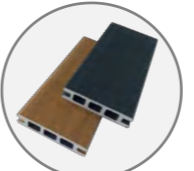
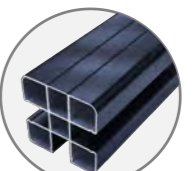
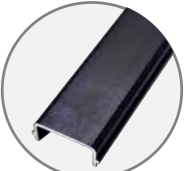
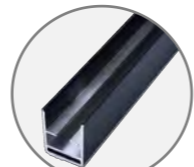

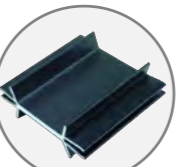

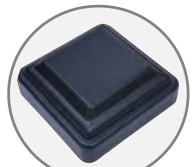


# 常用围栏样式 Common Fence Styles



# 围栏安装图解 Installation Diagram



-  ① WPC fence panel
-  ② WPC fence panel
-  ③ Alum. post
-  ④ Post cover
-  ⑤ Up & down rails
-  ⑥ L-bracket
-  ⑦ Alum. Spacer
-  ⑧ Base plate
-  ⑨ Post cap

# 常用表面纹理 Common Surface Textures



# 其他常用规格 Other WPC Product

Product Name	Model	Drawing	Size (mm)	Picture
Handrail	PT-90*45AK		45*90	
Square Tube	PT-50*50AK		50*50	
Post	PT-120*120AK		120*120	
Solid joist	PT-40*25AS		25*40	
Hollow Joist	PT-60*40AK		40*60	
Solid Stool Slat	PT90*40AS		40*90	
L-Shaped Corner trim	PT-50*50AL		50*50	
External Corner	GJ43*43AY		43*43	
L-Shaped Corner trim	GJ50*50AL		50*50	